

Oil-Free Air Compressor (66-500)

INSTRUCTION MANUAL



PART NO. D25886 Rev. 2
Copyright © 2002 Delta Machinery

 **DELTA**

To learn more about DELTA MACHINERY
visit our website at: www.deltamachinery.com.

**For Parts, Service, Warranty or other Assistance,
please call 1-866-422-4286.**

**ESPAÑOL: PÁGINA 25
FRANÇAIS: PAGE 49**

SAFETY GUIDELINES - DEFINITIONS

This manual contains information that is important for you to know and understand. This information relates to protecting **YOUR SAFETY** and **PREVENTING EQUIPMENT PROBLEMS**. To help you recognize this information, we use the symbols below. Please read the manual and pay attention to these symbols.

▲ DANGER Indicates an imminently hazardous situation which, if not avoided, <u>will</u> result in <u>death or serious injury</u> .	▲ CAUTION Indicates a potentially hazardous situation which, if not avoided, <u>may</u> result in <u>minor or moderate injury</u> .
▲ WARNING Indicates a potentially hazardous situation which, if not avoided, <u>could</u> result in <u>death or serious injury</u> .	CAUTION Used without the safety alert symbol indicates a potentially hazardous situation which, if not avoided, <u>may</u> result in <u>property damage</u> .

IMPORTANT SAFETY INSTRUCTIONS

▲ WARNING Some dust created by power sanding, sawing, grinding, drilling, and other construction activities contains chemicals known (to the State of California) to cause cancer, birth defects or other reproductive harm. Some example of these chemicals are:

- lead from lead-based paints
- crystalline silica from bricks and cement and other masonry products
- arsenic and chromium from chemically-treated lumber

Your risk from these exposures varies, depending on how often you do this type of work. To reduce your exposure to these chemicals: work in a well ventilated area, and work with approved safety equipment, always wear **MSHA/NIOSH** approved, properly fitting face mask or respirator when using such tools.

When using air tools, basic safety precautions should always be followed to reduce the risk of of personal injury.

IMPORTANT SAFETY INSTRUCTIONS



Save these instructions



Improper operation or maintenance of this product could result in serious injury and property damage. Read and understand all warnings and operation instructions before using this equipment.

HAZARD

WARNING: Risk of explosion or fire



What Could Happen	How To Prevent It
<p>It is normal for electrical contacts within the motor and pressure switch to spark.</p>	<p>Always operate the compressor in a well ventilated area free of combustible materials, gasoline, or solvent vapors.</p>
<p>If electrical sparks from compressor come into contact with flammable vapors, they may ignite, causing fire or explosion.</p>	<p>If spraying flammable materials, locate compressor at least 20 feet away from spray area. An additional length of hose may be required. Store flammable materials in a secure location away from compressor.</p>
<p>Restricting any of the compressor ventilation openings will cause serious overheating and could cause fire.</p>	<p>Never place objects against or on top of compressor. Operate compressor in an open area at least 12 inches away from any wall or obstruction that would restrict the flow of fresh air to the ventilation openings. Operate compressor in a clean, dry well ventilated area. Do not operate unit indoors or in any confined area.</p>
<p>Unattended operation of this product could result in personal injury or property damage. To reduce the risk of fire, do not allow the compressor to operate unattended.</p>	<p>Always remain in attendance with the product when it is operating. Always disconnect electrical power by moving pressure switch lever to the off position and drain tank daily or after each use.</p>

HAZARD

WARNING: Risk of Bursting



Air Tank: The following conditions could lead to a weakening of the tank, and result in a violent tank explosion and could cause property damage or serious injury.

What Could Happen	How To Prevent It
<p>1. Failure to properly drain condensed water from tank, causing rust and thinning of the steel tank.</p>	<p>Drain tank daily or after each use. If tank develops a leak, replace it immediately with a new tank or replace the entire compressor.</p>
<p>2. Modifications or attempted repairs to the tank.</p> <p>3. Unauthorized modifications to the unloader valve, safety valve, or any other components which control tank pressure.</p>	<p>Never drill into, weld, or make any modifications to the tank or its attachments.</p>
<p>4. Excessive vibration can weaken the air tank and cause rupture or explosion</p>	<p>The tank is designed to withstand specific operating pressures. Never make adjustments or parts substitutions to alter the factory set operating pressures.</p>
<p><u>ATTACHMENTS & ACCESSORIES:</u> Exceeding the pressure rating of air tools, spray guns, air operated accessories, tires, and other inflatables can cause them to explode or fly apart, and could result in serious injury.</p>	<p>For essential control of air pressure, you must install a pressure regulator and pressure gauge to the air outlet (if not equipped) of your compressor. Follow the equipment manufacturers recommendation and never exceed the maximum allowable pressure rating of attachments. Never use compressor to inflate small low pressure objects such as children's toys, footballs, basketballs, etc.</p>

HAZARD

WARNING: Risk from Flying Objects



WHAT CAN HAPPEN	HOW TO PREVENT IT
<p>The compressed air stream can cause soft tissue damage to exposed skin and can propel dirt, chips, loose particles, and small objects at high speed, resulting in property damage or personal injury.</p>	<p>Always wear ANSI Z87.1 approved safety glasses with side shields when using the compressor.</p> <p>Never point any nozzle or sprayer toward any part of the body or at other people or animals.</p> <p>Always turn the compressor off and bleed pressure from the air hose and tank before attempting maintenance, attaching tools or accessories.</p>

HAZARD

WARNING: Risk of Electrical Shock



WHAT CAN HAPPEN	HOW TO PREVENT IT
<p>Your air compressor is powered by electricity. Like any other electrically powered device, if it is not used properly it may cause electric shock.</p>	<p>Never operate the compressor outdoors when it is raining or in wet conditions. Never operate compressor with protective covers removed or damaged.</p>
<p>Repairs attempted by unqualified personnel can result in serious injury or death by electrocution.</p>	<p>Any electrical wiring or repairs required on this product should be performed by authorized service center personnel in accordance with national and local electrical codes.</p>
<p>Electrical Grounding: Failure to provide adequate grounding to this product could result in serious injury or death from electrocution. See grounding instructions.</p>	<p>Make certain that the electrical circuit to which the compressor is connected provides proper electrical grounding, correct voltage and adequate fuse protection.</p>

HAZARD

WARNING: Risk to Breathing



WHAT CAN HAPPEN	HOW TO PREVENT IT
<p>The compressed air directly from your compressor is not safe for breathing. The air stream may contain carbon monoxide, toxic vapors, or solid particles from the tank. Breathing these contaminants can cause serious injury or death.</p>	<p>Air obtained directly from the compressor should never be used to supply air for human consumption. In order to use air produced by this compressor for breathing, suitable filters and in-line safety equipment must be properly installed. In-line filters and safety equipment used in conjunction with the compressor must be capable of treating air to all applicable local and federal codes prior to human consumption.</p>
<p>Sprayed materials such as paint, paint solvents, paint remover, insecticides, weed killers, may contain harmful vapors and poisons.</p>	<p>Work in an area with good cross ventilation. Read and follow the safety instructions provided on the label or safety data sheets for the materials you are spraying. Use a NIOSH/ MSHA approved respirator designed for use with your specific application.</p>

HAZARD

WARNING: RISK OF BURNS



WHAT CAN HAPPEN	HOW TO PREVENT IT
Touching exposed metal such as the compressor head or outlet tubes, can result in serious burns.	Never touch any exposed metal parts on compressor during or immediately after operation. Compressor will remain hot for several minutes after operation. Do not reach around protective shrouds or attempt maintenance until unit has been allowed to cool.

HAZARD

WARNING: RISK FROM MOVING PARTS



WHAT CAN HAPPEN	HOW TO PREVENT IT
Moving parts such as the pulley, flywheel, and belt can cause serious injury if they come into contact with you or your clothing.	Never operate the compressor with guards or covers which are damaged or removed.
Attempting to operate compressor with damaged or missing parts or attempting to repair compressor with protective shrouds removed can expose you to moving parts and can result in serious injury.	Any repairs required on this product should be performed by authorized service center personnel.

HAZARD

WARNING: RISK OF FALLING



WHAT CAN HAPPEN	HOW TO PREVENT IT
A portable compressor can fall from a table, workbench, or roof causing damage to the compressor and could result in serious injury or death to the operator.	Always operate compressor in a stable secure position to prevent accidental movement of the unit. Never operate compressor on a roof or other elevated position. Use additional air hose to reach high locations.

HAZARD

WARNING: RISK OF SERIOUS INJURY OR PROPERTY DAMAGE WHEN TRANSPORTING COMPRESSOR



(Fire, Inhalation, Damage to Vehicle Surfaces)

WHAT CAN HAPPEN	HOW TO PREVENT IT
<p>Oil can leak or spill and could result in fire or breathing hazard; serious injury or death can result. oil leaks will damage carpet, paint or other surfaces in vehicles or trailers.</p>	<p>Always place COMPRESSOR on a protective mat when transporting to protect against damage to vehicle from leaks. Remove COMPRESSOR from vehicle immediately upon arrival at your destination.</p>

HAZARD

WARNING: RISK OF UNSAFE OPERATION



WHAT CAN HAPPEN	HOW TO PREVENT IT
<p>Unsafe operation of your air compressor could lead to serious injury or death to you or others.</p>	<p>Review and understand all instructions and warnings in this manual.</p> <p>Become familiar with the operation and controls of the air compressor.</p> <p>Keep operating area clear of all persons, pets, and obstacles.</p> <p>Keep children away from the air compressor at all times.</p> <p>Do not operate the product when fatigued or under the influence of alcohol or drugs. Stay alert at all times.</p> <p>Never defeat the safety features of this product.</p> <p>Equip area of operation with a fire extinguisher.</p> <p>Do not operate machine with missing, broken, or unauthorized parts.</p>

GLOSSARY

Become familiar with these terms before operating the unit.

CFM: Cubic feet per minute.

SCFM: Standard cubic feet per minute; a unit of measure of air delivery.

PSIG: Pounds per square inch gauge; a unit of measure of pressure.

Code Certification: Products that bear one or more of the following marks: UL, CUL, ETL, CETL, have been evaluated by OSHA certified independent safety laboratories and meet the applicable Underwriters Laboratories Standards for Safety.

Cut-In Pressure: While the motor is off, air tank pressure drops as you continue to use your accessory. When the tank pressure drops to a certain low level the motor will restart automatically. The low pressure at which the motor automatically restarts is called "cut-in" pressure.

Cut-Out Pressure: When an air compressor is turned on and begins to run, air pressure in the air tank begins to build. It builds to a certain high pressure before the motor automatically shuts off - protecting your air tank from pressure higher than its capacity. The high pressure at which the motor shuts off is called "cut-out" pressure.

Branch Circuit: Circuit carrying electricity from electrical panel to outlet.

DUTY CYCLE

Air compressors should be operated on not more than a 50% duty cycle. This means an air compressor that pumps air more than 50% of one hour is considered misuse, because the air compressor is undersized for the required air demand. Maximum compressor pumping time per hour is 30 minutes.

SPECIFICATIONS

Model No.	66-500
Horsepower Peak	2
Bore	1.875"
Stroke	1.250"
Voltage/Hertz/ Phase	120V/60Hz/1Ph
Minimum Branch Circuit Requirement	15 amps
*Fuse Type	Time Delay
Air Tank Capacity	8 gallons
Approximate Cut-in Pressure	100
Approximate Cut-out Pressure	125
SCFM @ 40 PSIG	3.7
SCFM @ 90 PSIG	2.6

A circuit breaker is preferred. Use only a fuse or circuit breaker that is the same rating as the branch circuit the air compressor is operated on. If compressor is connected to a circuit protected by fuses, use only time delay fuses. Time delay fuses should be marked "D" in Canada and "T" in the US.

ACCESSORIES

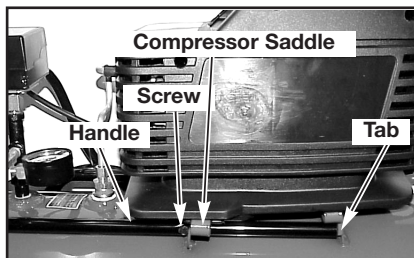
Accessories for this unit are available at the store the unit was purchased.

ASSEMBLY (does not apply to all units)

Assembly for "Tank" units

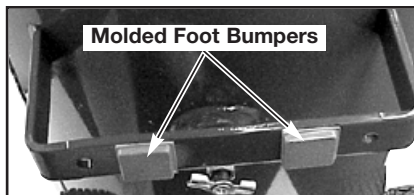
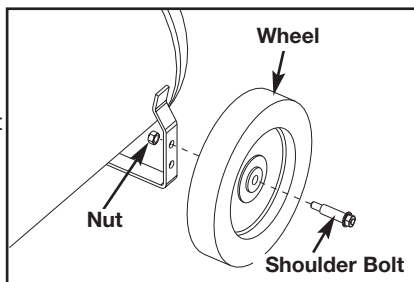
CAUTION The wheels and handle do not provide adequate clearance, stability or support for pulling the unit up and down stairs or steps. The unit must be lifted, or pushed up a ramp.

1. Submerge handle grip into warm soapy water to make installation easier. Remove handle grip from soapy water and slide onto handle.
2. Slide handle through holes in compressor saddle onto tabs. Secure with screws, one on each side.



CAUTION It will be necessary to brace or support one side of the outfit when installing the wheels because the compressor will have a tendency to tip over.

3. Install one shoulder bolt and one nut for each wheel. Tighten securely. The outfit will sit level if the wheels are properly installed.
4. Clean and dry underside of air tank leg opposite wheels. Remove the protective strip from the adhesive backed molded foot bumpers. Attach the foot bumpers to the bottom of leg on each end. Press firmly into place.



INSTALLATION

HOW TO SET UP YOUR UNIT

Location of the Air Compressor

Locate the air compressor in a clean, dry and well ventilated area. The air compressor should be located at least 12" away from the wall or other obstructions that will interfere with the flow of air. The air compressor pump and shroud are designed to allow for proper cooling. The ventilation openings on the compressor are necessary to maintain proper operating temperature. Do not place rags or other containers on or near these openings.

GROUNDING INSTRUCTIONS

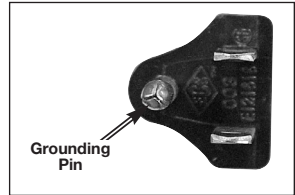
⚠ WARNING **RISK OF ELECTRICAL SHOCK.** In the event of a short circuit, grounding reduces the risk of shock by providing an escape wire for the electric current. This air compressor must be properly grounded.

The portable air compressor is equipped with a cord having a grounding wire with an appropriate grounding plug (see illustrations). The plug must be used with an outlet that has been installed and grounded in accordance with all local codes and ordinances.

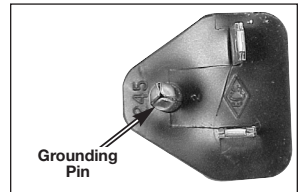
1. The cord set and plug with this unit contains a grounding pin. This plug **MUST** be used with a grounded outlet.

IMPORTANT: The outlet being used must be installed and grounded in accordance with all local codes and ordinances.

2. Make sure the outlet being used has the same configuration as the grounded plug. **DO NOT USE AN ADAPTER.**



120 Volt U.S.A. Plug



240 Volt U.S.A. Plug

CAUTION **When used outside of the United States of America a conversion kit may be required for local use.**

3. Inspect the plug and cord before each use. Do not use if there are signs of damage.
4. If these grounding instructions are not completely understood, or if in doubt as to whether the compressor is properly grounded, have the installation checked by a qualified electrician.

⚠ DANGER **IMPROPER GROUNDING CAN RESULT IN ELECTRICAL SHOCK.**

Do not modify the plug provided. If it does not fit the available outlet, a correct outlet should be installed by a qualified electrician.

Repairs to the cord set or plug **MUST be made by a qualified electrician.**

Extension Cords

Using extension cords is not recommended. The use of extension cords will cause voltage to drop resulting in power loss to the motor and overheating. Instead of using an extension cord, increase the working reach of the air hose by attaching another length of hose to its end. Attach additional lengths of hose as needed.

If an extension cord must be used, be sure it is:

- a 3-wire extension cord that has a 3-blade grounding plug, and a 3-slot receptacle that will accept the plug on the product
- in good condition
- no longer than 50 feet
- 14 gauge (AWG) or larger. (Wire size increases as gauge number decreases. 12 AWG, 10 AWG, and 8 AWG may also be used. **DO NOT USE 16 OR 18 AWG.**)

Voltage and Circuit Protection

Refer to the Parts Manual for the voltage and minimum branch circuit requirements.

Certain air compressors can be operated on a 15 amp circuit if the following conditions are met.

1. Voltage supply through branch circuit is 15 amps.
2. Circuit is not used to supply any other electrical needs (lights, appliances, etc.).
3. Extension cords comply with specifications.
4. Circuit is equipped with a 15 amp circuit breaker or 15 amp time delay fuse. **NOTE:** If compressor is connected to a circuit protected by fuses, use only time delay fuses marked "D" for Canada and "T" for US.

If any of the above conditions cannot be met, or if operation of the compressor repeatedly causes interruption of the power, it may be necessary to operate it from a 20 amp circuit. It is not necessary to change the cord set.

OPERATION

Know Your Air Compressor

READ THIS OWNER'S MANUAL AND SAFETY RULES BEFORE OPERATING YOUR UNIT. Compare the illustrations with your unit to familiarize yourself with the location of various controls and adjustments. Save this manual for future reference.

Description of Operation

Become familiar with these controls before operating the unit.

On/Auto/Off Switch: Turn this switch ON to provide automatic power to the pressure switch and OFF to remove power at the end of each use.

Pressure Switch: The pressure switch automatically starts the motor when the air tank pressure drops below the factory set "cut-in" pressure. It stops the motor when the air tank pressure reaches the factory set "cut-out" pressure.

Safety Valve: If the pressure switch does not shut off the air compressor at its "cut-out" pressure setting, the safety valve will protect against high pressure by "popping out" at its factory set pressure (slightly higher than the pressure switch "cut-out" setting).

Outlet Pressure Gauge: The outlet pressure gauge indicates the air pressure available at the outlet side of the regulator. This pressure is controlled by the regulator and is always less than or equal to the tank pressure.

Tank Pressure Gauge: The tank pressure gauge indicates the reserve air pressure in the tank.

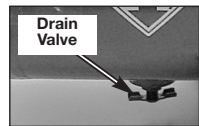
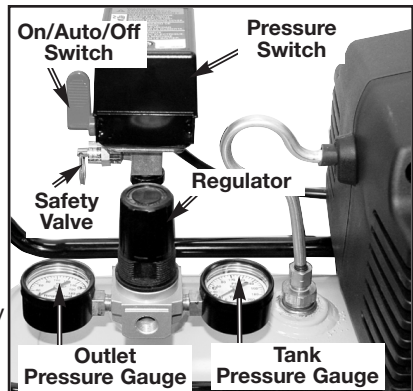
Regulator: Controls the air pressure shown on the outlet pressure gauge. Pull the knob out and turn clockwise to increase pressure and counterclockwise to decrease pressure. When the desired pressure is reached push knob in to lock in place.

Drain Valve: The drain valve is located at the base of the air tank and is used to drain condensation at the end of each use.

Cooling System (not shown): This compressor contains an advanced design cooling system. At the heart of this cooling system is an engineered fan. It is perfectly normal for this fan to blow air through the vent holes in large amounts. You know that the cooling system is working when air is being expelled.

Air Compressor Pump (not shown): Compresses air into the air tank. Working air is not available until the compressor has raised the air tank pressure above that required at the air outlet.

Check Valve: When the air compressor is operating, the check valve is "open", allowing compressed air to enter the air tank. When the air compressor reaches "cut-out" pressure, the check valve "closes", allowing air pressure to remain inside the air tank.



How to Use Your Unit

How to Stop:

1. Set the On/Auto/Off lever to "OFF".

Before Starting

Break-in Procedure

WARNING

Serious damage (for units with a tank) may result if the following break-in instructions are not closely followed.

This procedure is required **before** the air compressor is put into service and when the check valve or a complete compressor pump has been replaced.

1. Make sure the On/Auto/Off lever is in the "OFF" position.

NOTE: Pull coupler back until it clicks to prevent air from escaping through the quick connect.

2. Plug the power cord into the correct branch circuit receptacle. (Refer to Voltage and Circuit Protection paragraph in the Installation section of this manual.)
3. Open the drain valve fully (counterclockwise) to permit air to escape and prevent air pressure build up in the air tank during the break-in period.
4. Move the On/Auto/Off lever to "ON/AUTO" position. The compressor will start.
5. Run the compressor for 15 minutes. Make sure the drain valve is open and there is minimal air pressure build-up in tank.
6. After 15 minutes, close the drain valve (clockwise). The air receiver will fill to "cut-out" pressure and the motor will stop.

The compressor is now ready for use.

Before Each Start-Up:

1. Place On/Auto/Off lever to "OFF".
2. Pull regulator knob out, turn counterclockwise until it stops. Push knob in to lock in place.
3. Attach hose and accessories. **NOTE:** The hose or accessory will require a quick connect plug if the air outlet is equipped with a quick connect socket.

WARNING

Too much air pressure causes a hazardous risk of bursting. Check the manufacturer's maximum pressure rating for air tools and accessories. The regulator outlet pressure must never exceed the maximum pressure rating.

How to Start:

1. Turn the On/Auto/Off lever to “AUTO” and allow tank pressure to build. Motor will stop when tank pressure reaches “cut-out” pressure.
2. Pull the regulator knob out and turn clockwise to increase pressure. When the desired pressure is reached push knob in to lock in place. The compressor is ready for use.

NOTE: Always operate the air compressor in well-ventilated areas free of gasoline or other combustible vapors. If the compressor is being used to operate a sprayer DO NOT place near the spray area.

MAINTENANCE

Customer Responsibilities

	Before each use	Daily or after each use
Check Safety Valve	●	
Drain Tank		●

To Check Safety Valve

▲WARNING If the safety valve does not work properly, over-pressurization may occur, causing air tank rupture or an explosion. Before starting compressor, pull the ring on the safety valve to make sure that the safety valve operates freely. If the valve is stuck or does not operate smoothly, it must be replaced with the same type of valve.

To Drain Tank

1. Set the On/Auto/Off lever to “OFF”.
2. Pull the regulator knob out and turn counter-clockwise to set the outlet pressure to zero.
3. Remove the air tool or accessory.
4. Pull ring on safety valve allowing air to bleed from the tank until tank pressure is approximately 20 psi. Release safety valve ring.
5. Drain water from air tank by opening drain valve (counter-clockwise) on bottom of tank.

▲WARNING Water will condense in the air tank. If not drained, water will corrode and weaken the air tank causing a risk of air tank rupture.

6. After the water has been drained, close the drain valve (clockwise). The air compressor can now be stored.

NOTE: If drain valve is plugged, release all air pressure. The valve can then be removed, cleaned, then reinstalled.

SERVICE AND ADJUSTMENTS

⚠ WARNING Unit cycles automatically when power is on. When doing Maintenance, you may be exposed to voltage sources, compressed air or moving parts. Personal injuries can occur. Before performing any Maintenance or repair, unplug the compressor and bleed off all air pressure.

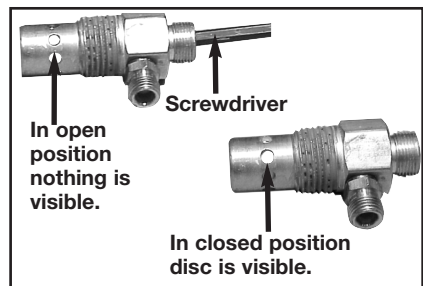
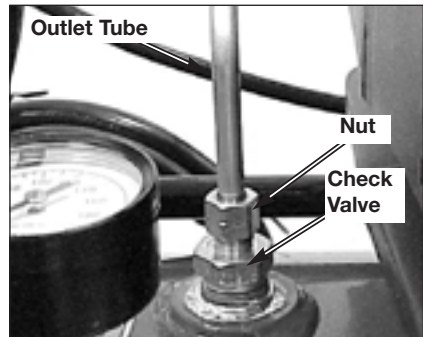
ALL MAINTENANCE AND REPAIR OPERATIONS NOT LISTED MUST BE PERFORMED BY TRAINED SERVICE TECHNICIAN.

⚠ WARNING Before servicing:

- Unplug or disconnect electrical supply to the air compressor.
- Bleed tank of pressure.
- Allow the air compressor to cool.

To Replace or Clean Check Valve

1. Release all air pressure from air tank. See “To Drain Tank” in the Maintenance section.
2. Unplug outfit.
3. Loosen the nut on the outlet tube and move the outlet tube to the side.
4. Unscrew the check valve (turn counterclockwise) using a socket wrench.
5. Make sure the valve disc moves freely inside the check valve and the spring holds the disc in the upper, closed position. The check valve may be cleaned with a solvent, such as paint and varnish remover.
6. Apply sealant to the check valve threads. Reinstall the check valve (turn clockwise).
7. Replace the outlet tube and tighten the nut.
8. Perform the Break-in Procedure. See “Break-in Procedure” in the Operation section.

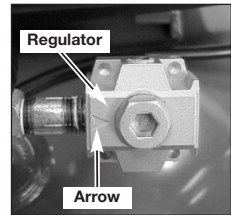


To Replace Regulator

1. Release all air pressure from air tank. See "To Drain Tank" in the Maintenance section.
2. Unplug outfit.
3. Using an adjustable wrench remove the gauges and hose from the regulator.
4. Remove the regulator.
5. Apply pipe sealant tape to the nipple on the standpipe.
6. Assemble the regulator and orient as shown.

NOTE: Arrow indicates flow of air. Make sure it is pointing in the direction of air flow.

7. Reapply pipe sealant to gauges and hose.
8. Reassemble gauges and hose. Orient gauges to read correctly. Tighten hose with wrench.



STORAGE

Before you store the air compressor, make sure you do the following:

1. Review the "Maintenance" section on the preceding pages and perform scheduled maintenance as necessary.
2. Set the On/Auto/Off lever to "OFF".
3. Turn the regulator counterclockwise and set the outlet pressure to zero.
4. Remove the air tool or accessory.
5. Pull ring on safety valve allowing air to bleed from the tank until tank pressure is approximately 20 psi. Release safety valve ring.
6. Drain water from air tank by opening drain valve on bottom of tank.

▲ WARNING Water will condense in the air tank. If not drained, water will corrode and weaken the air tank causing a risk of air tank rupture.

7. After the water has been drained, close the drain or drain valve.

NOTE: If drain valve is plugged, release all air pressure. The valve can then be removed, cleaned, then reinstalled.

8. Protect the electrical cord and air hose from damage (such as being stepped on or run over). Wind them loosely around the compressor handle. (If so equipped)
9. Store the air compressor in a clean and dry location.

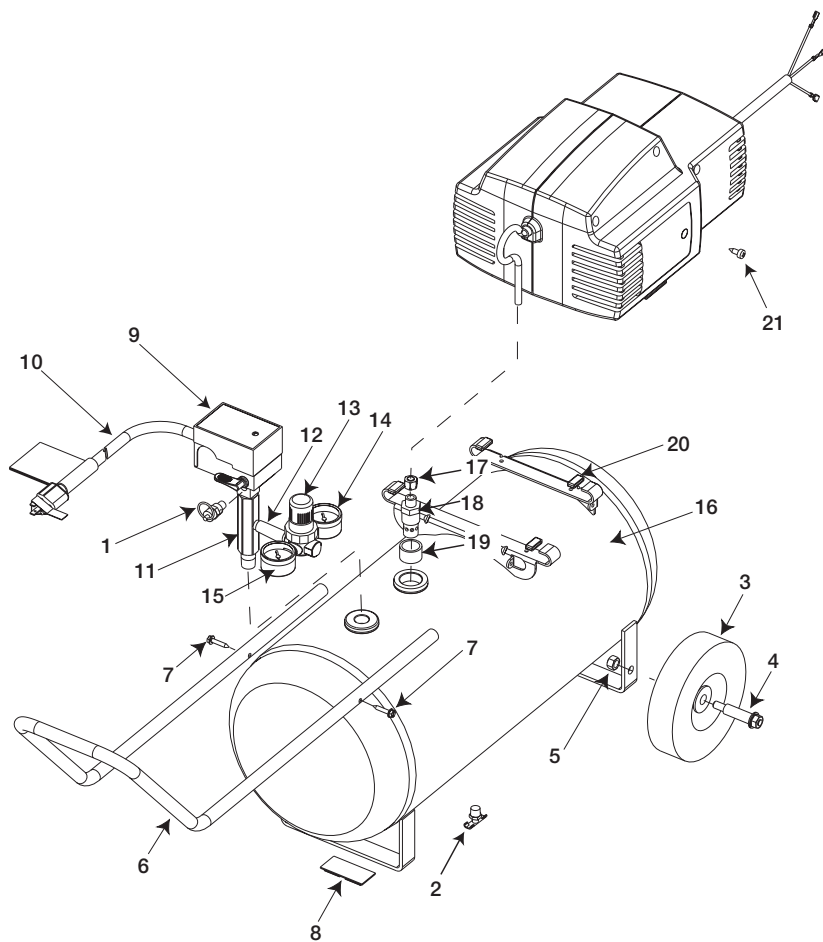
TROUBLESHOOTING

⚠ WARNING Performing repairs may expose voltage sources, moving parts or compressed air sources, moving parts or compressed air sources. Personal injury may occur. Prior to attempting any repairs, unplug the air compressor and bleed off all air tank air pressure.

PROBLEM	CAUSE	CORRECTION
Excessive tank pressure - safety valve pops off.	Pressure switch does not shut off motor when compressor reaches “cut-out” pressure.	Move On/Auto/Off lever to the “OFF” position, if the outfit does not shut off contact a Trained Service Technician.
	Pressure switch “cut-out” too high.	Contact a Trained Service Technician.
Air leaks at fittings.	Tube fittings are not tight enough.	Tighten fittings where air can be heard escaping. Check fittings with soapy water solution. Do Not Overtighten.
Air leaks at pressure switch release valve. (if equipped)	Defective pressure switch release valve.	Contact a Trained Service Technician.
Air leaks in air tank or at air tank welds.	Defective air tank.	Air tank must be replaced. Do not repair the leak. ⚠ WARNING Do not drill into, weld or otherwise modify air tank or it will weaken. The tank can rupture or explode.
Air leaks between head and valve plate.	Leaking seal.	Contact a Trained Service Technician.
Air leak from safety valve.	Possible defect in safety valve.	Operate safety valve manually by pulling on ring. If valve still leaks, it should be replaced.
Knocking Noise.	Possible defect in safety valve.	Operate safety valve manually by pulling on ring. If valve still leaks, it should be replaced.

PROBLEM	CAUSE	CORRECTION
<p>Pressure reading on the regulated pressure gauge drops when an accessory is used.</p>	<p>It is normal for “some” pressure drop to occur.</p>	<p>If there is an excessive amount of pressure drop when the accessory is used, adjust the regulator following the instructions in the “Description of Operation” paragraph in the “Operation Section.</p> <p>NOTE: Adjust the regulated pressure under flow conditions (while accessory is being used).</p>
<p>Compressor is not supplying enough air to operate accessories.</p>	<p>Prolonged excessive use of air.</p> <p>Compressor is not large enough for air requirement.</p> <p>Hole in hose.</p> <p>Check valve restricted.</p> <p>Air leaks.</p>	<p>Decrease amount of air usage.</p> <p>Check the accessory air requirement. If it is higher than the SCFM or pressure supplied by your air compressor, you need a larger compressor.</p> <p>Check and replace if required.</p> <p>Remove and clean, or replace.</p> <p>Tighten fittings.</p>
<p>Regulator knob has continuous air leak.</p>	<p>Damaged regulator</p>	<p>Replace</p>
<p>Regulator will not shut off air outlet.</p>	<p>Damaged regulator</p>	<p>Replace</p>

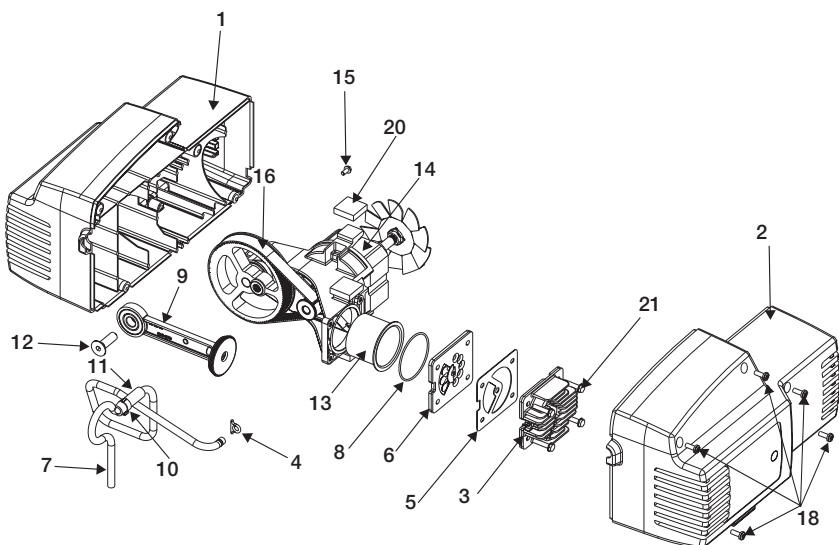
AIR COMPRESSOR DIAGRAM



PARTS LIST

<u>Key No</u>	<u>Part Number</u>	<u>Description</u>
1	97503734	Safety Valve
2	SS-2707	Drain Valve
3	CAC-4299	Wheel 6" (2 used)
4	CAC-60	Shoulder Bolt (2 used)
5	SSF-8080-ZN	Nut Hex 3/8-16 (2 used)
6	AC-0345	Handle
7	SSF-612	Screw #10-16 x 1(2 used)
8	AC-0364	Molded Foot Bumper
9	Z-AC-0353-1	Pressure Switch
10	SUDL-413-2	Cord Assembly
11	AC-0027-2	Manifold
12	SSP-480	Nipple 1/4-18 NPT x 2.50
13	D21426	Regulator
14	Z-AC-0009-1	Gauge - Right Hand
15	Z-AC-0010-1	Gauge - Left Hand
16	Z-D25895	Tank
17	SSP-473	Nut Sleeve
18	D24879	Check Valve
19	SSP-490-1	Bushing
20	* CAC-1254	Isolator (4 used)
21	* SSF-621	Screw 1/4-14 x .625 (2 used)

AIR COMPRESSOR PUMP DIAGRAM



PARTS LIST

<u>Key No</u>	<u>Part Number</u>	<u>Description</u>
1	D25734	Shroud, Left
2	AC-0470	Shroud, Right
3	CAC-1196	Cylinder Head
4	* CAC-1212	Tube Seal
5	* CAC-1199	Gasket Head
6	Z-D24985	Valve Plate Assembly
7	DAC-269	Outlet Tube
8	* SSG-8169	O-ring
9	+ -----	Rod Assembly
10	CAC-1206-1	Clamp
11	AC-0206	Isolator Tube
12	x SSF-3147	Screw 3/8-16 x .375
13	+ -----	Cylinder Sleeve
14	-----	Endbell Assembly
15	x SUDL-9-1	Screw 8-32x .375/.344
16	AC-0815	Timing Belt
18	x SSF-3156	Screw, 10-9x.50 Plastite (5 used)
20	* D24731	Pump Isolator (5 used)
21	x SSF-995	Screw #10-24 x .875 (4 used)

Not Shown

D20111

Motor Cord

Kits Available

* K-0387

Isolator Kit

+ KK-4964

Connecting Rod Kit

x KK-4929

Fastener Kit

LIMITED WARRANTY

DELTA MACHINERY warrants to the original purchaser that all products covered under this warranty are free from defects in material and workmanship. Products covered under this warranty include air compressors, air tools, service parts, pressure washers, and generators, which have the following warranty periods:

3 YEARS - Limited warranty on 2-stage oil-free air compressor pumps that operate at 1725 RPM.

2 YEARS - Limited warranty on oil-lubricated air compressor pumps.

1 YEAR - Limited warranty on all other air compressor components.

2 YEARS - Limited warranty on electric generator alternators.

1 YEAR - Limited warranty on other generator components.

2 YEARS - Limited warranty on pneumatic air tools as described in Delta general catalog.

1 YEAR - Limited warranty on pressure washers used in consumer applications (i.e. personal residential household usage only).

90 DAY - Pressure washers used for commercial applications (income producing) and service parts.

1 YEAR - Limited warranty on all accessories.

Delta will repair or replace, at Delta's option, products or components which have failed within the warranty period. Service will be scheduled according to the normal work flow and business hours at the service center location, and the availability of replacement parts. All decisions of Delta Corporation with regard to this limited warranty shall be final.

This warranty gives you specific legal rights, and you may also have other rights which vary from state to state.

RESPONSIBILITY OF ORIGINAL PURCHASER (initial User):

- To process a warranty claim on this product, DO NOT return it to the retailer. The product must be evaluated by an Delta Authorized Warranty Service Center. For the location of the nearest Authorized Warranty Service Center call 1-866-422-4286, 24 hours a day, 7 days a week.
- Retain original cash register sales receipt as proof of purchase for warranty work.
- Use reasonable care in the operation and maintenance of the product as described in the Owners Manual(s).
- Deliver or ship the product to the nearest Authorized Warranty Service Center. Freight costs, if any, must be paid by the purchaser.
- Air compressors with 60 and 80 gallon tanks will be inspected at the site of installation. Contact the nearest Authorized Warranty Service Center that provides on-site service calls, for service call arrangements.
- If the purchaser does not receive satisfactory results from the Authorized Warranty Service Center, the purchaser should contact .

THIS WARRANTY DOES NOT COVER:

- Merchandise sold as reconditioned, used as rental equipment, and floor or display models.
- Merchandise that has become damaged or inoperative because of ordinary wear, misuse*, cold, heat, rain, excessive humidity, freeze damage, use of improper chemicals, negligence, accident, failure to operate the product in accordance with the instructions provided in the Owners Manual(s) supplied with the product, improper maintenance, the use of accessories or attachments not recommended by , or unauthorized repair or alterations.
- * An air compressor that pumps air more than 50% during a one hour period is considered misuse because the air compressor is undersized for the required air demand.
- Repair and transportation costs of merchandise determined not to be defective.
- Costs associated with assembly, required oil, adjustments or other installation and start-up costs.
- Expendable parts or accessories supplied with the product which are expected to become inoperative or unuseable after a reasonable period of use, including but not limited to sanding disks or pads, saw and shear blades, grinding stones, springs, chisels, nozzles, o-rings, air jets, washers and similar accessories.
- Merchandise sold by which has been manufactured by and identified as the product of another company, such as gasoline engines. The product manufacturer's warranty, if any, will apply.
- **ANY INCIDENTAL, INDIRECT OR CONSEQUENTIAL LOSS, DAMAGE, OR EXPENSE THAT MAY RESULT FROM ANY DEFECT, FAILURE OR MALFUNCTION OF THE PRODUCT IS NOT COVERED BY THIS WARRANTY.** Some states do not allow the exclusion or limitation of incidental or consequential damages, so the above limitation or exclusion may not apply to you.
- **IMPLIED WARRANTIES, INCLUDING THOSE OF MERCHANTABILITY OR FITNESS FOR A PARTICULAR PURPOSE, ARE LIMITED TO ONE YEAR FROM THE DATE OF ORIGINAL PURCHASE.** Some states do not allow limitations on how long an implied warranty lasts, so the above limitations may not apply to you.



Jackson, TN USA
1-866-422-4286

Compresor de Aire Sin Aceite (66-500)

Manual de Instrucciones



PART NO. D25886 Rev. 2
Copyright © 2002 Delta Machinery

 **DELTA**

Para saber más acerca de las MÁQUINAS DELTA, visite
nuestro sitio WEB en: www.deltamachinery.com.

ENGLISH: PÁGINA 1
FRANÇAIS: PAGE 61

Por piezas, servicio garantía y cualquier otro tipo de
asistencia, sírvase llamar al: 1-866-422-4286

DEFINICIONES DE NORMAS DE SEGURIDAD

SEGURIDAD Y PREVENCIÓN DE PROBLEMAS DEL EQUIPO: Para ayudar al reconocimiento de esta información, hemos utilizado los símbolos mostrados abajo. Sírvase leer el manual y prestar atención a dichas secciones.

⚠ PELIGRO Indica una situación de inminente riesgo, la cual, si no es evitada, causará la <u>muerte o lesiones serias.</u>	⚠ PRECAUCIÓN Indica una situación potencialmente peligrosa, la cual, si no es evitada, podría resultar en <u>lesiones menores o moderadas.</u>
⚠ ADVERTENCIA Indica una situación potencialmente riesgosa, que si no es evitada, podría resultar en la <u>muerte o lesiones serias.</u>	⚠ PRECAUCIÓN Usado sin el símbolo de seguridad de alerta indica una situación potencialmente riesgosa la que, si no es evitada, podría causar <u>daños en la propiedad.</u>

IMPORTANTES INSTRUCCIONES DE SEGURIDAD

⚠ ADVERTENCIA Algunos tipos de aserrín creados por máquinas eléctricas de lijado, aserrado, amolado, perforado u otras actividades de la construcción, contienen materiales químicos conocidos (en el Estado de California) como causantes de cáncer, defectos de nacimiento u otros daños del aparato reproductivo. Algunos ejemplos de dichos productos químicos son:

- El plomo contenido en algunas pinturas con base de plomo
- Sílice cristalizado proveniente de los ladrillos, el cemento y otros productos de albañilería
- Arsénico y cromo provenientes del tratamiento químico dado a la madera

Su riesgo a dichas exposiciones variará dependiendo de la frecuencia con la que usted realice diferentes tipos de trabajo. Para reducir su exposición a la acción de dichos agentes químicos: trabaje en zonas bien ventiladas, y hágalo con equipo de seguridad aprobado, use siempre protección facial o respirador **MSHA / NIOSH** aprobados cuando deba utilizar dichas herramientas.

Al utilizar herramientas neumáticas también deben tomarse precauciones básicas de seguridad, a fin de reducir la posibilidad de riesgo de lesiones personales.

INSTRUCCIONES IMPORTANTES DE SEGURIDAD



GUARDE ESTAS INSTRUCCIONES



LA OPERACIÓN O EL MANTENIMIENTO INADECUADOS DE ESTE PRODUCTO PODRÍAN OCASIONAR SERIAS LESIONES Y DAÑOS A LA PROPIEDAD. LEA Y COMPRENDA TODAS LAS ADVERTENCIAS E INSTRUCCIONES DE FUNCIONAMIENTO ANTES DE UTILIZAR ESTE EQUIPO.

PELIGRO

ADVERTENCIA: RIESGO DE EXPLOSIÓN O INCENDIO



¿QUE PUEDE OCURRIR?	¿CÓMO PREVENIRLO?
<p>Para los contactos eléctricos es normal la existencia de chispas entre el motor y el interruptor a presión.</p>	<p>Opere siempre el compresor en un sector bien ventilado y libre de materiales combustibles, gasolina o emanaciones de solvente.</p>
<p>Si las chispas eléctricas provenientes del compresor toman contacto con emanaciones de materiales inflamables, ellos podrían arder originando incendio o explosión.</p>	<p>En un área de rociado de materiales inflamables, ubique al compresor por lo menos a 6,1m (20 pies) de distancia del área de rociado. Podría requerirse una extensión de la manguera.</p> <p>Almacene los materiales inflamables en una ubicación segura, alejados del compresor.</p>
<p>Restringir cualquiera de las aberturas de ventilación causará un serio recalentamiento y podría producir un incendio.</p>	<p>Jamás coloque objetos apoyados o sobre el compresor. Opere el compresor en un sector abierto, por lo menos a 30 cm (12 pulgadas) alejado de cualquier pared u obstrucción que restrinja el flujo de aire fresco a las aberturas de ventilación.</p> <p>Opere el compresor en un sector limpio, seco, y bien ventilado. No opere la unidad en espacios cerrados o cualquier área confinada.</p>
<p>Dejar desatendido este producto mientras el mismo está en funcionamiento puede resultar en lesiones personales o daños a la propiedad. Para reducir el riesgo de incendio, no permita que el compresor opere desatendido.</p>	<p>Manténgase siempre alerta cada vez que el producto este funcionando.</p> <p>Desconecte siempre el suministro eléctrico moviendo la palanca conmutadora de presión a la posición de apagado (off), y drene el tanque diariamente o después de cada uso.</p>

PELIGRO

ADVERTENCIA: RIESGO DE EXPLOSIÓN



TANQUE DE AIRE: LAS SIGUIENTES CONDICIONES PODRÍAN, CAUSAR EL DEBILITAMIENTO DEL TANQUE, Y DETERMINAR SU EXPLOSIÓN VIOLENTA, DAÑOS A LA PROPIEDAD O SERIAS LESIONES.

¿QUÉ PUEDE OCURRIR?	¿CÓMO PREVENIRLO?
1. Drenaje inadecuado del agua condensada en el tanque, siendo la causa del óxido que reduce el espesor del tanque de acero.	Drene el tanque diariamente o después de cada uso. Si el tanque genera una pérdida, reemplácelo inmediatamente con un nuevo tanque o reemplace el compresor completo.
2. Modificaciones o intento de reparaciones al tanque.	Jamás perfore, suelde, o efectúe modificación alguna al tanque o sus accesorios.
3. Modificaciones no autorizadas a la válvula de descarga, válvula de seguridad o cualquier otro componente que controle la presión del tanque.	
4. La vibración excesiva puede debilitar el tanque de aire y causar su ruptura o explosión.	El tanque está diseñado para resistir presiones operativas específicas. Jamás efectúe ajustes o sustituya partes que alteren las regulaciones de presión originales de fábrica.
AGREGADOS Y ACCESORIOS El exceso a los valores de presión establecidos para las herramientas neumáticas, pistolas rociadoras, accesorios activados por aire, cubiertas y otros objetos inflables, puede causar su explosión o ser arrojados, pudiendo ocasionar serias lesiones.	Para un control esencial de la presión, debe usted instalar un regulador y un medidor de presión a la salida del aire de su compresor. (Si no estuviese equipado) Siga las recomendaciones de los fabricantes de su equipo y jamás exceda los valores máximos de presión permitidos para los accesorios. Jamás use el compresor para inflar objetos que requieren poca o baja presión, tales como juguetes para los niños, pelotas de fútbol, pelotas de basquet, etc.

PELIGRO

ADVERTENCIA: RIESGO DE OBJETOS ARROJADOS POR EL AIRE.



¿QUÉ PUEDE OCURRIR?	¿CÓMO PREVENIRLO?
El chorro de aire comprimido puede causar daños sobre los tejidos blandos de la piel expuesta, y puede propulsar suciedad, astillas, partículas sueltas y pequeños objetos a alta velocidad, ocasionando daños a la propiedad o lesiones personales.	Al utilizar el compresor, use siempre anteojos de seguridad ansi Z87.1 aprobados, con protección lateral. Jamás apunte ninguna boquilla o pulverizador hacia partes del cuerpo, a otras personas o animales. Apague siempre el compresor y purgue la presión de la manguera del aire y del tanque, antes de intentar el mantenimiento, el acople de herramientas o accesorios.

PELIGRO

ADVERTENCIA: RIESGO DE DESCARGA ELÉCTRICA



¿QUÉ PUEDE OCURRIR?	¿CÓMO PREVENIRLO?
<p>Su compresor de aire está accionado por electricidad. Como cualquier otro dispositivo eléctrico impulsado eléctricamente, si no se lo utiliza adecuadamente, podría causarle una descarga eléctrica.</p>	<p>Jamás opere el compresor a la intemperie cuando está lloviendo o en condiciones de humedad.</p> <p>Nunca opere el compresor sin sus defensas o sus cubiertas removidas o dañadas.</p>
<p>Las reparaciones intentadas por personal no calificado podrían ocasionar serias lesiones o la muerte por electrocución.</p>	<p>Cualquier conexión eléctrica o reparación requerida por este producto debe ser efectuada por personal autorizado de los servicentros de acuerdo a los códigos eléctricos nacionales y locales.</p>
<p>CONEXIÓN A TIERRA: Dejar de proveer una adecuada conexión a tierra a este producto podría ocasionar lesiones serias o la muerte por electrocución. Ver instrucciones para la puesta a tierra.</p>	<p>Asegúrese que el circuito eléctrico al cual está conectado el compresor, suministra apropiada conexión a tierra, tensión correcta y una adecuada protección de fusibles.</p>

PELIGRO

ADVERTENCIA: RIESGO DE INHALACIÓN



¿QUÉ PUEDE OCURRIR?	¿CÓMO PREVENIRLO?
<p>El aire comprimido proveniente del compresor no es sano para respirar. El chorro de aire puede contener monóxido de carbono, vapores tóxicos o partículas sólidas provenientes del tanque. La inhalación de dichos contaminantes puede llegar a causar serias lesiones o la muerte.</p>	<p>El aire obtenido directamente del compresor jamás deberá ser utilizado para proveer aire para consumo humano. Para poder utilizar el aire producido por este compresor y hacerlo respirable, deberán instalarse un filtro adecuado y un equipo de seguridad intercalado. Los filtros intercalados tanto como el equipo de seguridad utilizado en conjunto con el compresor, deberán ser capaces de procesar el tratamiento del aire de acuerdo a todos los códigos locales y federales, previo al consumo humano.</p>
<p>El rociado de materiales tales como pintura, solventes, removedores de pintura, insecticidas, mata hierbas, contienen emanaciones dañinas y venenosas.</p>	<p>Trabaje en un área con buena ventilación cruzada. Lea y siga las instrucciones de seguridad provistas en el rótulo o en los datos de las hojas de seguridad del material que está pulverizando. Use el respirador aprobado NIOSH/MSHA designado para utilizarse con su aplicación específica.</p>

PELIGRO

ADVERTENCIA: RIESGO DE QUEMADURAS



¿QUÉ PUEDE OCURRIR?	¿CÓMO PREVENIRLO?
<p>Tocar el metal expuesto tal como el cabezal del compresor o los tubos de salida del escape, puede ocasionarle serias quemaduras.</p>	<p>Jamás toque partes de metal expuestas en el compresor durante o inmediatamente después de la operación. el compresor permanecerá caliente por varios minutos luego de la operación.</p> <p>No lo cubra con fundas protectoras o intente el mantenimiento hasta que la unidad haya alcanzado su enfriamiento.</p>

PELIGRO

ADVERTENCIA: RIESGO DE PARTES MÓVILES



¿QUÉ PUEDE OCURRIR?	¿CÓMO PREVENIRLO?
<p>Partes movibles tales como la polea, el volante y la correa podrían ser la causa de serias lesiones si ellas entraran en contacto con usted o sus ropas.</p>	<p>Nunca opere el compresor sin sus defensas o sus cubiertas removidas o dañadas.</p>
<p>Intentar operar el compresor con sus partes dañadas o faltantes, o la reparación del compresor con sus protecciones removidas, puede exponerlo a usted a partes movibles, que podrían resultar en lesiones serias.</p>	<p>Cualquier reparación requerida por este producto debe ser efectuada por personal autorizado de los servicentros.</p>

PELIGRO

ADVERTENCIA: RIESGO DE CAIDA



¿QUÉ PUEDE OCURRIR?	¿CÓMO PREVENIRLO?
<p>Un compresor portátil puede caerse de la mesa, el banco de trabajo o del techo dañando al compresor y pudiendo resultar en serias lesiones o la muerte del operador.</p>	<p>Opere siempre el compresor en una posición estable y segura a fin de prevenir el movimiento accidental de la unidad. Jamás opere el compresor sobre un techo u otra posición elevada. Utilice mangueras adicionales de aire para alcanzar posiciones altas.</p>

PELIGRO

ADVERTENCIA: RIESGO DE DAÑOS A LA PROPIEDAD AL TRANSPORTAR EL COMPRESOR



(Fuego, inhalación, daño a la superficie de vehículos)

¿QUÉ PUEDE OCURRIR?	¿CÓMO PREVENIRLO?
<p>El aceite puede derramarse y ello podría resultar en serias lesiones o la muerte debido al riesgo de incendio o inhalación. El derrame de aceite daña alfombras, pinturas u otras superficies de vehículos o remolques.</p>	<p>Deposite el compresor sobre una alfombrilla protectora cuando lo transporte, a fin de proteger al vehículo de pérdidas por goteo, Retire el compresor del vehículo inmediatamente después de su arribo al destino.</p>

PELIGRO

ADVERTENCIA: RIESGO DE OPERACIÓN INSEGURA



¿QUÉ PUEDE OCURRIR?	¿CÓMO PREVENIRLO?
<p>La operación insegura de su compresor de aire podría ocasionarle serias lesiones o la muerte a usted u otros.</p>	<p>Revise y comprenda todas las instrucciones y advertencias contenidas en este manual.</p> <p>Familiarícese con los métodos de operación y control del compresor de aire.</p> <p>Mantenga libre la zona de operaciones de persona alguna, animales domésticos y obstáculos.</p> <p>Mantenga alejados a los niños del compresor de aire en todo momento.</p> <p>No opere el producto cuando se encuentre fatigado o bajo la influencia del alcohol o drogas. Esté alerta en todo momento.</p> <p>Jamás altere los elementos de seguridad de este producto.</p> <p>Equipe la zona de operaciones con un extinguidor de fuego.</p> <p>No opere la máquina si ésta tiene partes faltantes, rotas o no autorizadas.</p>

GLOSARIO

Familiarícese con los siguientes términos, antes de operar la unidad:

CFM: (Cubic feet per minute) Pies cúbicos por minuto.

SCFM: (Standard cubic feet per minute) Pies cúbicos estándar por minuto; una unidad de medida que permite medir la cantidad de entrega de aire.

PSIG: (Pound per square inch) Libras por pulgada cuadrada.

ASME: American Society of Mechanical Engineers (Sociedad Americana de Ingenieros Mecánicos); hecho probado inspeccionado y registrado en cumplimiento de los estándares de la ASME.

Código de certificación: Los productos que usan una o más de las siguientes marcas: UL, CUL, ETL, CETL, han sido evaluados por OSHA, laboratorios independientes certificados en seguridad, y reúnen los estándares suscriptos por los laboratorios dedicados a la certificación de la seguridad.

Presión mínima de corte: Cuando el motor está apagado, la presión del tanque de aire baja a medida que usted continúa usando su accesorio. Cuando la presión del tanque baja al valor fijado en fábrica como punto bajo, el motor volverá a arrancar automáticamente. La presión baja a la cual el motor arranca automáticamente, se llama presión "mínima de corte".

Presión máxima de corte: Cuando un compresor de aire se enciende y comienza a funcionar, la presión de aire en el tanque comienza a aumentar. Aumenta hasta un valor de presión alto fijado en fábrica antes de que el motor automáticamente se apague protegiendo a su tanque de aire de presiones más altas que su capacidad. La presión alta a la cual el motor se apaga se llama presión "máxima de corte".

Ramal: Circuito eléctrico que transporta electricidad desde el panel de control hasta el tomacorriente.

CICLO DE SERVICIO

Los compresores de aire deben ser operados a no más del 50% de su ciclo de servicio. Eso significa que si un compresor de aire bombea aire por más del 50% en una hora, está considerado de uso inadecuado, porque el compresor de aire está subdimensionado para la demanda requerida. 30 minutos por hora debe ser el tiempo máximo de bombeo de un compresor.

ESPECIFICACIONES

Modelo N°	66-500
Potencia Peak	2
Diámetro interior	1.875 pulg.
Carrera	1.250 pulg.
Voltaje/hz/Ciclo/Fase	240/60/1
Circuito mínimo requerido	15A
*Tipo de fusible	Fusible de retardo
Tamaño de tanque	8 Galones
Presión de arranque	100
Presión de corte	125
SCFM a 40 PSIG	3,7
SCFM a 90 PSIG	2,6

* Un disjoncteur est préférable. N'utilisez qu'un fusible ou un coupe-circuit de la mme valeur nominale que le circuit sur lequel le compresseur est branch. Si un compresseur est relié à un circuit protégé par des fusibles, n'utilisez que des fusibles à retardement. Les fusibles à retardement portent un " D " au Canada et un " T " aux États-Unis.

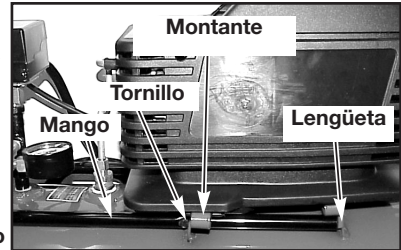
ACCESORIOS

Los accesorios pueden encontrarse en el comercio donde fue comprada la unidad, o en un local de artículos de ferretería.

ENSAMBLADO (no es aplicable a todas las unidades)

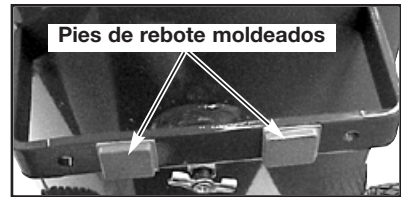
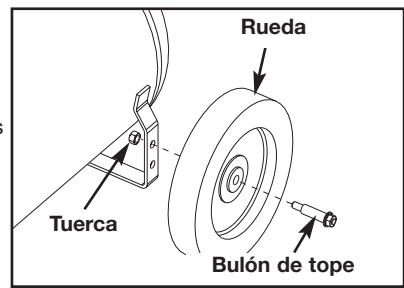
⚠ PRECAUCIÓN Las ruedas y manija no proveen una distancia adecuada, estabilidad ni soporte para levantar la unidad y bajar escaleras o peldaños. La unidad debe ser levantada o empujada sobre una rampa.

1. Sumerja el mango de agarre en una solución jabonosa tibia a fin de hacer su instalación más sencilla. Extraiga el mango de agarre de la solución jabonosa y deslícelo sobre la manija.
2. Deslice el mango a través de los orificios sobre el montante del compresor hasta sus lengüetas. Asegúrelo con tornillos, poniendo uno de cada lado.



⚠ PRECAUCIÓN Será necesario sujetar o soportar un lado del equipo cuando se instalen las ruedas porque el compresor tendrá tendencia a volcarse.

3. Instale un bulón de tope y una tuerca por cada rueda. Ajuste firmemente. El equipo se asentará en forma nivelada si las ruedas están instaladas adecuadamente.
4. Limpie y seque el lado inferior de la pata del tanque de aire que enfrenta a las ruedas. Extraiga la cinta protectora adhesiva que cubre los pies de rebote moldeados. Coloque los rebotes de los pies en el extremo de cada pata. Presione firmemente para pegarlos en su sitio.



INSTALACIÓN

CÓMO PREPARAR LA UNIDAD

Ubique el compresor de aire en una zona limpia, y bien ventilada. El compresor de aire debe quedar separado - por lo menos - a 12 plug (30 cm) de la pared u otro tipo de obstrucciones que pudiesen interferir el flujo del aire. La bomba del compresor de aire y la carcasa están diseñadas para permitir el enfriamiento correcto. Las aberturas de ventilación del compresor son necesarias para mantener una adecuada temperatura de funcionamiento. No coloque trapos ni objetos en las proximidades de dichas aberturas.

INSTRUCCIONES PARA CONECTAR A TIERRA

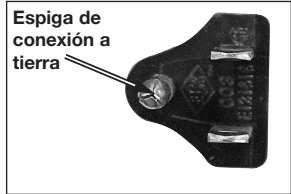
⚠ ADVERTENCIA **RIESGO DE DESCARGA ELÉCTRICA** Ante la eventualidad de un cortocircuito, la conexión a tierra reduce el riesgo de electrocución proveyendo un conductor de escape para la corriente eléctrica. Este compresor de aire debe estar adecuadamente conectado a tierra.

El compresor portátil de aire está equipado con un cable que tiene un conductor destinado a tierra, con una espiga apropiada para su conexión (ver las siguientes ilustraciones). El enchufe debe ser utilizado con un toma corriente que haya sido instalado y conectado a tierra de acuerdo a todos los códigos y ordenanzas locales.

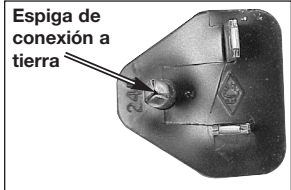
1. El cable que acompaña a esta unidad tiene una espiga para conexión a tierra. Esta DEBE ser utilizada con un tomacorriente conectado a tierra.

IMPORTANTE: El tomacorriente que será utilizado deberá haber sido conectado a tierra conforme a todos los códigos locales y ordenanzas.

2. Asegúrese de que el tomacorriente que será utilizado tenga la misma configuración que el enchufe de conexión a tierra. **NO UTILICE UN ADAPTADOR.**



Enchufe de 120 V, EE.UU.



Enchufe de 240 V, EE.UU.

⚠ PRECAUCIÓN Cuando el uso sea fuera de los Estados Unidos de América, es posible que sea menester el uso de un adaptador eléctrico de conversión para uso local.

3. Inspeccione el enchufe y su cordón antes de cada uso. No use si existieran signos de daños.
4. Si las instrucciones de conexión a tierra no fueran completamente comprendidas, o si se estuviera ante la duda acerca de que el compresor estuviese adecuadamente conectado a tierra, haga verificar la instalación por un electricista competente.

⚠ PELIGRO LA CONEXIÓN INADECUADA A TIERRA PUEDE DETERMINAR UNA DESCARGA ELÉCTRICA.

No modifique el enchufe provisto. Si el mismo no penetrara el tomacorriente disponible, un electricista competente deberá instalar uno apropiado.

La reparación del cable o del enchufe DEBERÁ ser efectuada por un electricista competente.

Cables de extensión eléctrica

Use extensiones de manguera de aire antes que prolongaciones de cables eléctricos, a fin de prevenir caídas de tensión, pérdida de la potencia eléctrica al motor, y también su recalentamiento.

Si - no obstante - debe utilizarse una extensión de cable, asegúrese de que:

- La extensión eléctrica de 3 conductores, tenga un enchufe de conexión a tierra de 3 hojas, y que exista un receptáculo que acepte el enchufe del producto.
- Esté en buenas condiciones.
- No más largo que 15,2 m (50 pies).
- Calibre 14 (AWG) o mayor. (La medida de los cables se incrementa a medida que su número ordinal decrece. 12, 10, y 8 AWG pueden ser usados también. **NO USE** 16 NI 18 AWG).

Protección del voltaje y del circuito

Acerca del voltaje y la mínima cantidad de circuitos requeridos, refiérase al Manual de piezas.

Ciertos compresores de aire pueden ser operados en un circuito de 15 A, siempre que se cumplan las siguientes condiciones:

1. Que el voltaje suministrado a través de los ramales del circuito sea de 15 A.
2. Que el circuito no sea utilizado para alimentar ninguna otra necesidad eléctrica (iluminación, artefactos, etc.)
3. Que los cables de extensión cumplan con las especificaciones.
4. El circuito cuenta con un disyuntor de 15 amperios o un fusible de acción retardada de 15 amperios. **NOTA:** Si el compresor está conectado a un circuito protegido por fusibles, use sólo fusibles de acción retardada. Los fusibles de acción retardada deben estar marcados con la letra "D" en Canadá y "T" en EE.UU.

Si cualquiera de las condiciones enumeradas no pudiese ser cumplida, o si el funcionamiento del compresor causara reiteradas interrupciones de la energía con la que se lo alimenta, podría ser necesario operar al mismo desde un circuito de 20 A. Para ello no será necesario cambiar su cable de alimentación.

OPERACIÓN

Conozca su compresor de aire

LEA ESTE MANUAL DEL PROPIETARIO Y SUS NORMAS DE SEGURIDAD ANTES DE OPERAR LA UNIDAD. Compare las ilustraciones contra su unidad a fin de familiarizarse con la ubicación de los distintos controles y regulaciones. Conserve este manual para referencias futuras.

Descripción de operaciones

Familiarícese con estos controles antes de operar la unidad.

Interruptor On/Auto/Off: Mueva este interruptor a la posición ON para dar contacto automático al interruptor de presión, y OFF para interrumpir la energía eléctrica al término del uso.

Interruptor de presión: El interruptor de presión permite el arranque automático del motor cuando la presión del tanque disminuye por debajo del valor de la presión de conexión regulada en fábrica. El motor se detendrá cuando la presión del tanque alcance los valores de presión de corte, regulado en fábrica para su desconexión.

Válvula de seguridad: Si el interruptor de presión dejara de cortar el suministro de presión del compresor conforme a los valores prefijados para la presión de corte, la válvula de seguridad protegerá contra la presión elevada, "saltando" de acuerdo a los valores prefijados en fábrica (ligeramente superiores a los de presión de corte de la llave interruptora.)

Manómetro para controlar la presión de salida. Este manómetro indicará la presión de aire disponible a la salida del regulador. Esta presión está controlada por el regulador y es siempre menor o igual que la presión del tanque

Manómetro de la presión del tanque: El manómetro que controla la presión del tanque indica la reserva de presión del tanque de aire.

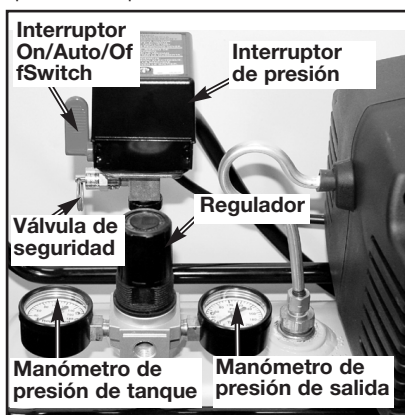
Regulador: Controla la presión de aire mostrada en el manómetro de salida. Tire de la perilla y gírela en sentido horario para incrementar la presión, y hágalo en sentido inverso para disminuirla. Cuando se logre la presión deseada, presione la perilla para bloquearla.

Válvula de drenaje: La válvula de drenaje se encuentra ubicada sobre la base del tanque de aire y se usa para drenar la condensación al fin de cada uso

Sistema de enfriamiento (no mostrado): Este compresor contiene un sistema de avanzada para el control de enfriamiento. En el núcleo de este sistema de enfriamiento hay un ventilador especialmente diseñado. Resulta perfectamente normal - para este ventilador - soplar aire en grandes cantidades a través de los orificios de ventilación. De tal manera se podrá saber que el sistema de enfriamiento trabaja cuando el aire esta siendo expelido.

Bomba de compresión del aire (no mostrada): Comprime el aire dentro del tanque. El aire de trabajo no se encuentra disponible hasta que el compresor haya alcanzado a llenar el tanque hasta un nivel de presión por encima del requerido para la salida del aire.

Válvula reguladora: Cuando el compresor de aire se encuentra funcionando, la válvula reguladora esta "abierta", permitiendo la entrada del aire comprimido al tanque de aire. Cuando el nivel de presión del tanque alcanza el punto de "corte", la válvula reguladora "se cierra", reteniendo la presión del aire dentro del tanque.



Cómo utilizar su unidad

Cómo detenerla:

1. Coloque la posición de la llave interruptora On/Auto/Off en la posición "OFF".

Antes de poner en marcha

Procedimiento para el asentamiento

▲ ADVERTENCIA Si las siguientes instrucciones no fuesen seguidas estrictamente, podrán ocurrir serios daños.

Este procedimiento es necesario **antes** de poner en servicio al compresor de aire, y cuando la válvula reguladora o la bomba completa del compresor haya sido reemplazada

1. Asegúrese que la palanca On/Auto/Off esté en la posición "OFF".

NOTA: Tire del acoplamiento hacia atrás hasta percibir el "clic" que impide el escape del aire de la conexión rápida.

2. Enchufe el cable de alimentación en el receptáculo del ramal del circuito correcto. (Referirse al párrafo "Protección del voltaje y del circuito" en la sección "Instalación" de este manual).
3. Abra completamente la válvula de drenaje (sentido antihorario) a fin de permitir la salida del aire e impedir el aumento de la presión dentro del tanque de aire durante el periodo de asentamiento.
4. Mueva la palanca On/Auto/Off a la posición "ON/AUTO". El compresor se pondrá en marcha.
5. Haga funcionar el compresor durante 15 minutos. Asegúrese de que la válvula de drenaje esté abierta y que la presión de aire acumulado en el tanque sea mínima.
6. Luego de 15 minutos, cierre la válvula de drenaje (sentido horario). El aire recibido irá llenando hasta el punto de "corte" de presión, y el motor se detendrá.

El compresor estará ahora listo para ser usado.

Antes de cada puesta en marcha:

1. Coloque el interruptor On/Auto/Off en la posición "OFF" y cierre el regulador de aire.
2. Tire de la perilla del regulador, gire en sentido antihorario hasta el límite. Empuje la perilla hasta su posición bloqueante.
3. Conecte la manguera y accesorios. **NOTA:** Tanto la manguera como los accesorios requerirán un enchufe de conexión rápida si la salida del aire está equipada con un zócalo de conexión rápida.

▲ ADVERTENCIA Demasiada presión de aire podrá ser la causa de riesgo de explosión. Verifique los valores de máxima presión dados por el fabricante de las herramientas neumáticas y los accesorios. La presión de salida del regulador jamás debe exceder los valores de máxima presión especificados.

Cómo poner en marcha:

1. Mueva la palanca On/Auto/Off a la posición "AUTO" y deje que se incremente la presión del tanque. El motor se detendrá una vez alcanzado el valor de presión "de corte" del tanque.
2. Tire de la perilla del regulador y gire en sentido horario para incrementar la presión. Cuando el valor deseado de presión sea logrado, presione la perilla hasta su posición bloqueante. El compresor estará listo para ser usado.

NOTA: Opere siempre el compresor de aire en áreas bien ventiladas, libres de gasolina u otras emanaciones combustibles. Si el compresor será utilizado para utilizar un rociador, NO lo coloque en las cercanías de la zona de rociado.

MANTENIMIENTO

Responsabilidades del cliente

	Antes de cada uso	Diariamente o luego de cada uso
Verifique la válvula de seguridad	●	
Drenaje del tanque		●

Cómo verificar la válvula de seguridad

▲ ADVERTENCIA Si la válvula de seguridad no trabaja adecuadamente, ello podrá determinar la sobrepresión del tanque, creando el riesgo de su ruptura o explosión.

1. Antes de poner en marcha el motor, tire del anillo de la válvula de seguridad para confirmar la seguridad de que la misma opera libremente, si la válvula quedase trabada o no trabajara cómodamente, deberá ser reemplazada por el mismo tipo de válvula.

Cómo drenar el tanque

1. Coloque la palanca On/Auto/Off en la posición "OFF".
2. Tire de la perilla del regulador y gire en sentido contrario a las agujas de reloj para establecer la salida de presión en cero.
3. Remueva la herramienta neumática o el accesorio.
4. Tire del aro de la válvula de seguridad dejando purgar el aire del tanque hasta que este reduzca su presión aproximadamente a 20 PSI. Suelte el aro de la válvula de seguridad.
5. Drene el agua contenida en el tanque de aire, abriendo la válvula de drenaje ubicada en la base del tanque (en sentido contrario a las agujas de reloj).

▲ ADVERTENCIA Dentro del tanque se producirá condensación de agua. Si no drena, el agua lo corroerá y debilitará causando un riesgo de ruptura del tanque de aire.

6. Una vez drenada el agua, cierre la válvula de drenaje (girando en sentido horario). Ahora el compresor de aire podrá ser guardado.

NOTA: Si la válvula de drenaje fuera del tipo enchufe, elimine toda la presión de aire. La válvula podrá entonces ser extraída, limpiada y finalmente reinstalada.

SERVICIO Y AJUSTES

⚠ ADVERTENCIA La unidad cicla automáticamente en cuanto la energía eléctrica es conectada. Al efectuar el mantenimiento, usted quedará expuesto a tensión viva, aire comprimido o partes en movimiento. Debido a tales circunstancias, podrían ocurrirle lesiones personales. Antes de efectuar mantenimiento o reparación alguna, desenchufe el compresor y purgue cualquier presión de aire.

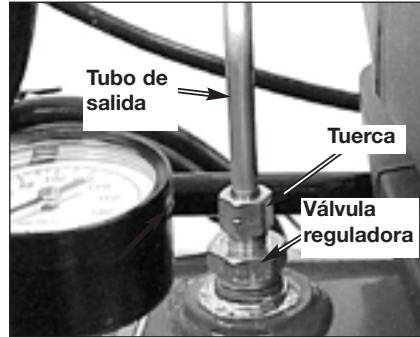
TODO TIPO DE MANTENIMIENTO Y OPERACIONES DE REPARACIÓN NO MENCIONADOS, DEBERÁN SER EFECTUADOS POR PERSONAL TÉCNICO ESPECIALIZADO.

⚠ ADVERTENCIA Antes de dar servicio:

- Desenchufe o desconecte el suministro eléctrico al compresor de aire.
- Purgue la presión del tanque.
- Deje enfriar al compresor de aire.

Para reemplazar o limpiar la válvula reguladora

1. Libere toda presión de aire del tanque. Vea "Drenaje del tanque" en la sección mantenimiento.
2. Desenchufe el equipo.
3. Afloje la tuerca de la salida del tubo y muévala hacia el costado.
4. Desenrosque la válvula reguladora (gire en sentido antihorario) utilizando una llave tubular.
5. Asegúrese que el disco de la válvula se mueva libremente dentro de la válvula reguladora y que el resorte sujete al disco en posición erguida y cerrada. La válvula reguladora puede ser limpiada con solvente, tal como los utilizados para pinturas y removedores de barniz.
6. Aplique sellador a los filamentos roscados de la válvula reguladora. Reinstale la válvula reguladora (girando en sentido horario).
7. Reponga la salida del tubo de presión y ajuste la tuerca.
8. Ejecute el proceso de "asentamiento". Vea "Proceso de asentamiento" en la sección "Operación".

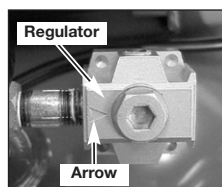


Para reemplazar el regulador

1. Libere toda la presión del aire del tanque. Vea "Drenaje del tanque" en la sección "Mantenimiento".
2. Desenchufe el equipo.
3. Utilizando una llave regulable, extraiga el manómetro de presión externa y la manguera del regulador.
4. Extraiga el regulador.
5. Aplique cinta selladora de cañerías sobre el niple del tubo vertical.
6. Ensamble el regulador y oriéntelo de acuerdo a lo mostrado.

NOTA: La flecha indica el sentido del flujo del aire. Asegúrese que esté apuntando a la dirección en la que fluye el aire.

7. Reaplique sellador de cañerías al manómetro de presión externa y a la manguera.
8. Rearme el manómetro de presión de salida y el manguera. Oriente el manómetro de salida para permitir su lectura correctamente. Ajuste las manguera con la llave.



ALMACENAJE

Antes de guardar su compresor de aire, asegúrese de hacer lo siguiente:

1. Revise la sección "Mantenimiento" de las páginas precedentes y ejecute el mantenimiento programado de acuerdo a la necesidad.
2. Coloque la palanca On/Auto/Off en la posición "OFF".
3. Gire el regulador en sentido antihorario y fije la presión de salida en cero.
4. Extraiga la herramienta neumática o el accesorio.
5. Tire del anillo de la válvula de seguridad permitiendo el purgado del aire del tanque hasta que la presión del mismo llegue aproximadamente a 20 PSI. Suelte el anillo de la válvula de seguridad.
6. Drene el agua del tanque de aire abriendo la válvula de drenaje ubicada en el fondo del tanque.

⚠ ADVERTENCIA El agua se condensa dentro del tanque de aire. Si no se drena, ella corroerá debilitando la paredes del tanque de aire, originando un riesgo de ruptura de sus paredes.

7. Una vez que el agua haya sido drenada, cierre la válvula de drenaje.

NOTA: Si la válvula de drenaje estuviese enchufada, libere toda la presión de aire. La válvula podrá ser extraída, limpiada y luego reinstalada.

8. Proteja el cable eléctrico y las mangueras de aire de daños (tales como ser pisoteados o pasados por encima). Enróllelos en forma floja, alrededor de la manija del compresor. (Si así estuviese equipado).

Almacene el compresor de aire en un sitio limpio y seco.

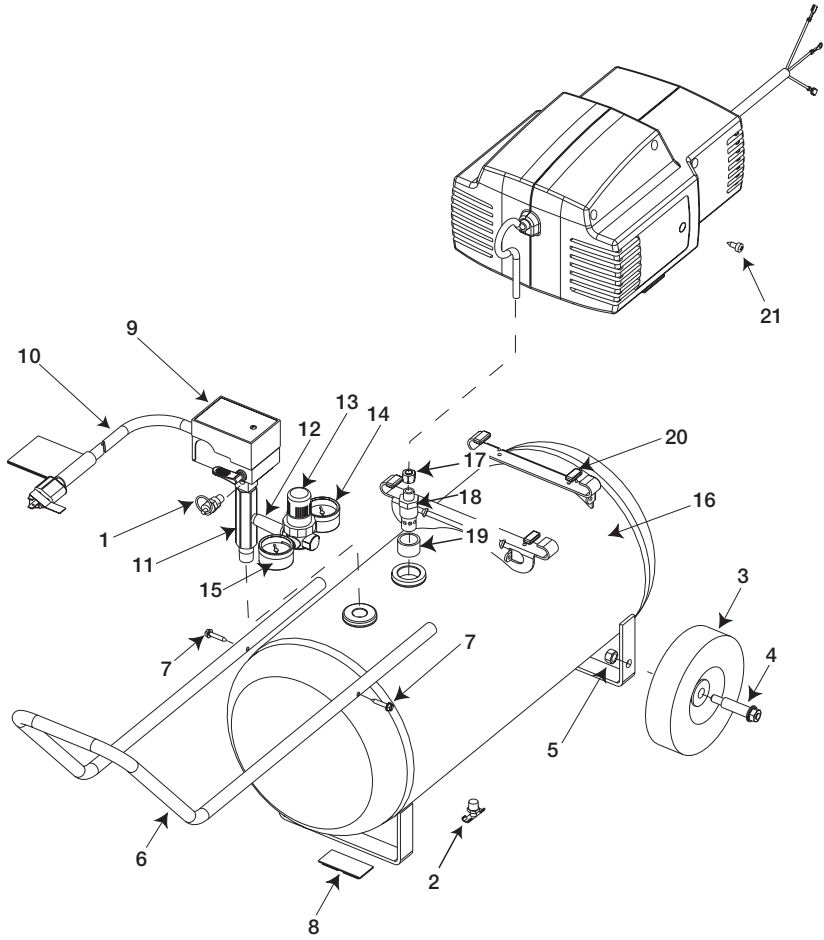
GUÍA DE DUAGNÓSTICO DE PROBLEMAS

⚠ ADVERTENCIA El desarrollo de reparaciones puede exponer a sitios con corriente viva, partes en movimiento o fuentes de aire comprimido que podrían ocasionar lesiones personales. Antes de intentar reparación alguna, desenchufe el compresor de aire y purgue toda la presión de aire del tanque.

PROBLEMA	CAUSA	CORRECCIÓN
Presión excesiva del tanque - la válvula de seguridad se dispara.	<p>El interruptor de presión no interrumpe al motor cuando el compresor alcanza la presión "de corte".</p> <p>El interruptor de presión "de corte" esta calibrado demasiado alto.</p>	<p>Mueva la palanca On/Auto/Off a la posición "OFF", si el equipo no corta, contacte a un técnico calificado para el servicio.</p> <p>Contacte a un técnico de servicio calificado.</p>
Las conexiones pierden aire.	Las conexiones de los tubos no están suficientemente ajustadas.	Ajuste las conexiones en las que el aire puede ser escuchado escapándose. Verifique las conexiones con solución jabonosa y agua. NO SOBREAJUSTE.
Pérdida de presión de aire en el interruptor de la válvula aliviadora. (si viene equipado)	Un interruptor de presión defectuoso libera la válvula.	Contacte a un técnico calificado en servicio.
Pérdida de aire en el tanque de aire o en las soldaduras del tanque de aire.	Tanque de aire defectuoso.	<p>El tanque de aire debe ser reemplazado. No repare la perdida.</p> <p style="text-align: center;">⚠ ADVERTENCIA</p> <p>No efectúe perforación alguna sobre la soldadura o cosa semejante sobre el tanque de aire, ello lo debilitará. El tanque podría romperse o explotar.</p>
Pérdida de aire entre el cabezal y el plato de válvula.	Pérdida en el sellado.	Contacte a un técnico calificado en servicio.
Pérdida de aire en la válvula de seguridad.	Posible defecto en la válvula de seguridad.	Opere la válvula de seguridad manualmente tirando de su anillo. Si la válvula aun pierde, deberá ser reemplazada.
Golpeteo	Posible defecto en la válvula de seguridad.	Extraiga y limpie o reemplace.

PROBLEMA	CAUSA	CORRECCIÓN
La lectura de la presión sobre un manómetro (si viene equipado con éste) desciende cuando se utiliza un accesorio.	Es normal que ocurra algún descenso en la presión.	Si hubiese una caída excesiva de presión durante el uso del accesorio, ajuste el regulador de acuerdo a las instrucciones de la sección Operación. NOTA: Ajuste la presión regulada bajo condiciones de flujo (mientras se esté usando el accesorio).
El compresor no esta suministrando suficiente cantidad de aire para operar los accesorios.	<p>Excesivo y prolongado uso del aire.</p> <p>El compresor no tiene suficiente capacidad para el requerimiento de aire al que está sometido.</p> <p>Orificio en la manguera</p> <p>Válvula reguladora restringida.</p> <p>Pérdida de aire.</p>	<p>Disminuya la cantidad de uso de aire.</p> <p>Verifique el requerimiento de aire del accesorio. Si es mayor que SCFM o la presión suministrada por su compresor de aire, se necesita un compresor de mayor capacidad.</p> <p>Verifique y reemplace si fuese necesario.</p> <p>Extraiga, limpie o reemplace.</p> <p>Ajuste las conexiones.</p>
El regulador tiene una fuga continua de aire.	Regulador dañado.	Reemplace
El regulador no cierra la salida del aire.	Regulador dañado.	Reemplace

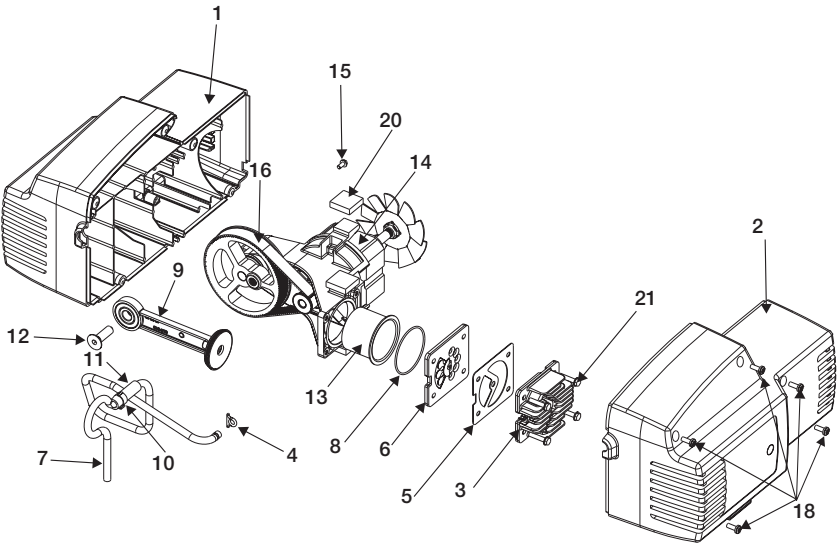
DIAGRAMA DEL COMPRESOR DE AIR



LISTA DE PIEZAS

<u>Clave No</u>	<u>No. De Pieza</u>	<u>Descripción</u>
1	97503734	Válvula de Seguridad
2	SS-2707	Válvula de Drenaje
3	CAC-4299	Rueda de 6 plug (uso 2)
4	CAC-60	Perno Tope (uso 2)
5	SSF-8080-ZN	Tuerca Hexagonal de 3/8-16 (uso 2)
6	AC-0345	Mango
7	SSF-612	Tornillos #10-16 x 1 (uso 2)
8	AC-0364	Tira, Pie de Caucho
9	Z-AC-0353-1	Interruptor de Presión
10	SUDL-413-2	Cordón
11	AC-0027-2	Múltiple
12	SSP-480	Niple de 1/4-18 NPT x 2.50
13	D21426	Regulador
14	Z-AC-0009-1	Medidor Derecho
15	Z-AC-0010-1	Medidor Izquierdo
16	Z-D25895	Tanque
17	SSP-473	Manga de Tuerca
18	D24879	Válvula de Chequeo
19	SSP-490-1	Reductor
20	* CAC-1254	Aislante (uso 4)
21	* SSF-621	Tornillo, 1/4-14 x .625 (uso 2)

DIAGRAMA DE LA BOMBA DEL COMPRESOR



LISTA DE PIEZAS

<u>Clave No</u>	<u>No. De Pieza</u>	<u>Descripción</u>
1	D25734	Cubierta (izquierda)
2	AC-0470	Cubierta (derecha)
3	CAC-1196	Cabeza de cilindro
4	* CAC-1212	Sello de tubo
5	* CAC-1199	Junta o empaque de cabeza
6	Z-D24985	Conjunto de la placa de válvula
7	DAC-269	Tubo de Salida
8	* SSG-8169	Annillo en "O"
9	+ -----	Conjunto de biela
10	CAC-1206-1	Grapa
11	AC-0206	Tubo de Aislador
12	x SSF-3147	Tornillo 3/8-16 x .375
13	+ -----	Camisa de cilindro
14	-----	Conjunto de terminación de cable
15	x SUDL-9-1	Tornillo 8-32 x .375/.344
16	AC-0815	Correa de sincronización
18	x SSF-3156	Tornillo 10-9x.50 Plastite (uso 5)
20	* D25731	Aislador de la bomba (uso 5)
21	x SSF-995	Tornillo #10-24 x .875 (uso 4)

No mostrado

D20111 Conjunto del Cable del Motor

Kits disponibles

*	K-0387	Conjunto aislador
+	KK-4964	Conjunto de biela
x	KK-4929	Conjunto de sujeción

GARANTÍA LIMITADA

DELTA MACHINERY garantiza al comprador original de todos los productos cubiertos bajo esta garantía, que los mismos se encuentran libres de defectos en materiales y mano de obra. Los productos cubiertos bajo esta garantía incluyen todos los compresores de aire, herramientas neumáticas, piezas de servicio, lavadoras a presión y generadores, los cuales tienen los siguientes periodos de garantía:

3 AÑOS – Garantía limitada en las bombas compresoras de 2 tiempos sin aceite, que operan a 1725 RPM.

2 AÑOS – Garantía limitada en las bombas compresoras de aire, lubricadas con aceite.

1 AÑO – Garantía limitada en todos los componentes de los otros generadores.

2 AÑOS – Garantía limitada en los generadores de corriente alterna.

1 AÑO – Garantía limitada sobre otros componentes del generador.

2 AÑOS – Garantía limitada en las herramientas neumáticas, tal como se describe en el catalogo general Delta.

1 AÑO – Garantía limitada en lavadoras a presión usadas en aplicaciones domesticas (por ej. Uso residencial y personal exclusivo).

90 DÍAS – Lavadoras a presión utilizadas para usos comerciales (que producen ingresos) y piezas de servicio.

1 AÑO – Garantía limitada sobre todos los servicios.

DELTA reparará o reemplazará, a opción de **DELTA**, productos o componentes con fallas, que se encuentren comprendidos dentro del periodo de garantía. El servicio será programado de acuerdo al flujo normal de trabajo y el horario normal de atención a clientes en el domicilio del servicentro, y conforme a la disponibilidad de piezas de reemplazo. Todas las decisiones de **DELTA MACHINERY** relacionadas con esta garantía limitada, serán definitivas. Esta garantía le otorga derechos legales específicos, aunque también usted podría tener otros derechos que podrán variar entre estados.

RESPONSABILIDAD DEL COMPRADOR ORIGINAL (Usuario inicial):

- Para procesar un reclamo de garantía sobre este producto, NO lo devuelva al comercio vendedor. El producto deberá ser evaluado por un servicentro autorizado de **DELTA** para la atención de garantías. Para informarse de la ubicación más cercana del servicentro autorizado para atención de garantías de **DELTA MACHINERY**, llame al 1-866-422-4286 que atiende 24 horas diarias, los 7 días de la semana.
- Retenga el recibido de venta original, como comprobante de su compra, para obtener la atención de su garantía.
- Mantenga un cuidado razonable en la operación y mantenimiento del producto, de acuerdo a lo descrito en el(los) Manual(es) del propietario.
- Entregue o envíe el producto al servicentro autorizado para atención de garantías de **DELTA** más cercano. Los costos de flete, si hubiese alguno, deberán ser abonados por el comprador.
- Únicamente los compresores de aire con tanques de 60 y 80 galones serán inspeccionados en el sitio de instalación. Contacte el servicentro autorizado para atención de garantías de **DELTA** más cercano que provea atención domiciliaria de solicitudes de servicio, para efectuar los arreglos para la prestación de dicho servicio.
- Si el comprador no obtuviese un resultado satisfactorio de parte del servicentro autorizado para atención de garantías de **DELTA**, deberá contactar a **DELTA**.

ESTA GARANTÍA NO CUBRE:

- Mercadería vendida como reacondicionada, usada como equipo en alquiler y modelos de piso para exhibición.
- La mercadería que se encuentre dañada o inoperante debido al uso ordinario, inadecuado, frío, calor, lluvia, humedad excesiva, dañada por congelamiento, uso de productos químicos inapropiados, negligencia, accidente, fallas en la operación del producto relacionado con las instrucciones contenidas en el(los) Manual(es) del propietario provistos con el producto, mantenimiento inadecuado, uso de accesorios o agregados no recomendados por **DELTA**, reparaciones no autorizadas o modificaciones.
- Un compresor de aire que bombea aire durante más del 50% durante una hora, está considerado como de uso inadecuado, dado que el compresor está subdimensionado para la demanda de aire requerida.
- Los costos de reparación y transporte de la mercadería determinada no defectuosa.
- Los costos asociados con el armado, aceite requerido, regulaciones u otros costos de instalación y puesta en marcha.
- Las partes consumibles o accesorios provistos con el producto cuya expectativa de desgaste e inoperatividad luego de un periodo razonable de uso, incluido pero no limitado a discos de lijado o almohadillas, sierras y hojas cortantes, piedras de amolar, resortes, cortantes, picos, o-rings, picos de aire, lavadoras y accesorios similares.
- La mercadería vendida por **DELTA** que haya sido fabricada e identificada como producto de otra empresa, tal como los motores a gasolina. En dicho caso tendrá validez la garantía extendida por su fabricante.
- **CUALQUIER PÉRDIDA INCIDENTAL, CONSECUENTE, DAÑO O GASTO QUE PUDIESE RESULTAR DE CUALQUIER DEFECTO, FALLA O MAL FUNCIONAMIENTO DEL PRODUCTO, NO QUEDA CUBIERTO EN LOS ALCANCES DE ESTA GARANTÍA.** Algunos estados no permiten la exclusión ni limitación de daños incidentales o consecuentes, en dicho caso la limitación antes mencionada no será de aplicación en su caso.
- **LAS GARANTÍAS IMPLÍCITAS, INCLUYENDO AQUELLAS RELACIONADAS CON LA COMERCIALIZACIÓN Y CALIFICACIÓN PARA UN PROPÓSITO EN PARTICULAR, QUEDAN LIMITADAS A UN AÑO A PARTIR DE LA FECHA ORIGINAL DE SU COMPRA.** Algunos estados no permiten limitaciones en cuanto a la duración de una garantía implícita, en tal caso, las limitaciones antes mencionadas no serán de aplicación en su caso.



Jackson, TN USA
1-866-422-4286

Compresseur d'air sans huile (66-500)

Manuel d'instructions



PART NO. D25886 Rev. 2
Copyright © 2002 Delta Machinery

 **DELTA**

Pour de plus amples renseignements sur
l'équipement DELTA, visitez notre site Web
www.deltamachinery.com.

Pour les pièces de rechange, les réparations, les
services de garantie ou toute autre aide, veuillez
composer le 1-866-422-4286

ENGLISH: PAGE 1
ESPAÑOL: PÁGINA 25

MESURES DE SÉCURITÉ - DÉFINITIONS

SÉCURITÉ ET PRÉVENTION DE PROBLÈMES D'ÉQUIPEMENT. Afin de vous aider à identifier cette information, nous avons utilisé des signes de danger plus bas. Veuillez lire attentivement ce guide en portant une attention particulière à ces sections.

 DANGER Indique un danger imminent qui, s'il n'est pas évité, causera de graves blessures ou la mort.	 MISE EN GARDE Indique la possibilité d'un danger qui, s'il n'est pas évité, peut causer des blessures mineures ou moyennes.
 AVERTISSEMENT Indique la possibilité d'un danger qui, s'il n'est pas évité, pourrait causer de graves blessures ou la mort.	 MISE EN GARDE Sans le symbole d'alerte. Indique la possibilité d'un danger qui, s'il n'est pas évité, peut causer des dommages à la propriété.


CONSIGNES DE SÉCURITÉ IMPORTANTES



CONSERVER CES DIRECTIVES



UN EMPLOI OU UN ENTRETIEN NON APPROPRIÉS DE CE PRODUIT PEUT CAUSER DES BLESSURES GRAVES ET DES DOMMAGES À LA PROPRIÉTÉ. LIRE ATTENTIVEMENT TOUS LES AVERTISSEMENTS ET LES DIRECTIVES D'UTILISATION AVANT D'UTILISER CET APPAREIL.

 **AVERTISSEMENT** La poussière produite par le ponçage électrique le sciage, le meulage, le perçage et autres activités de construction peut contenir des produits chimiques qui sont reconnus, par l'état de la Californie, de causer le cancer, les anomalies congénitales ou autres maux de reproduction. Ces produits chimiques comprennent, entre autres :

- le plomb provenant des peintures à base de plomb;
- la silice cristalline provenant de briques, de béton ou d'autres produits de maçonnerie
- l'arsenic et le chrome provenant du bois de charpente traité chimiquement

Le risque d'exposition à ces produits dépend de la fréquence d'exécution de ce genre de travaux. Afin de réduire l'exposition à ces produits chimiques, travaillez dans un endroit bien aéré et utilisez de l'équipement de sécurité approuvé, portez toujours un masque facial ou respirateur homologué **MSHA/NIOSH** bien ajusté lorsque vous utilisez de tels outils.

Lorsque vous utilisez un outil pneumatique, il faut toujours suivre les mesures de sécurité de base afin de réduire le risque de blessures corporelles.

CONSIGNES DE SÉCURITÉ IMPORTANTES



CONSERVER CES DIRECTIVES



UN EMPLOI OU UN ENTRETIEN NON APPROPRIÉS DE CE PRODUIT PEUT CAUSER DES BLESSURES GRAVES ET DES DOMMAGES À LA PROPRIÉTÉ. LIRE ATTENTIVEMENT TOUS LES AVERTISSEMENTS ET LES DIRECTIVES D'UTILISATION AVANT D'UTILISER CET APPAREIL.

DANGER

AVERTISSEMENT: RISQUE D'EXPLOSION OU D'INCENDIE



RISQUE	PRÉVENTION
<p>LES ÉTINCELLES QUI PROVIENNENT DES CONTACTS ÉLECTRIQUES DU MOTEUR ET DU MANOSTAT SONT CONSIDÉRÉES NORMALES.</p> <p>SI DES ÉTINCELLES ÉLECTRIQUES DU COMPRESSEUR ENTRENT EN CONTACT AVEC DES VAPEURS INFLAMMABLES, ELLES PEUVENT S'ENFLAMMER, PROVOQUANT UN INCENDIE OU UNE EXPLOSION.</p> <p>TOUTE OBSTRUCTION DES ORIFICES D'AÉRATION DU COMPRESSEUR ENTRAÎNERA UNE SURCHAUFFE DANGEREUSE ET RISQUE DE CAUSER UN INCENDIE.</p> <p>SI CET APPAREIL FONCTIONNE SANS SUPERVISION, CELA RISQUE DE CAUSER DES BLESSURES GRAVES OU DES DOMMAGES À LA PROPRIÉTÉ. POUR RÉDUIRE LE RISQUE D'INCENDIE, NE JAMAIS LAISSER LE COMPRESSEUR D'AIR FONCTIONNER SANS SUPERVISION.</p>	<p>TOUJOURS UTILISER LE COMPRESSEUR DANS UN ENDROIT BIEN AÉRÉ, LOIN DE TOUTE MATIÈRE COMBUSTIBLE ET DES VAPEURS D'ESSENCE OU DE SOLVANTS.</p> <p>SI DES MATIÈRES INFLAMMABLES DOIVENT ÊTRE VAPORISÉES, SITUER LE COMPRESSEUR À UNE DISTANCE D'AU MOINS 20 PIEDS DE LA ZONE DE VAPORISATION. IL PEUT S'AVÉRER NÉCESSAIRE D'UTILISER UN BOYAU SUPPLÉMENTAIRE.</p> <p>ENTREPOSER LES MATIÈRES INFLAMMABLES DANS UN ENDROIT SÉCURITAIRE, LOIN DU COMPRESSEUR.</p> <p>NE JAMAIS PLACER DES OBJETS CONTRE OU SUR LE COMPRESSEUR. UTILISER LE COMPRESSEUR DANS UN ENDROIT OUVERT, À AU MOINS 12 POUÇES (30 cm) DE TOUT MUR OU OBSTRUCTION QUI RÉDUIT LE DÉBIT D'AIR FRAIS VERS LES ORIFICES D'AÉRATION.</p> <p>UTILISER LE COMPRESSEUR DANS UN ENDROIT PROPRE, SEC ET BIEN AÉRÉ. NE PAS UTILISER L'APPAREIL À L'INTÉRIEUR OU DANS UN ENDROIT CLOS.</p> <p>TOUJOURS RESTER À PROXIMITÉ DE L'APPAREIL LORSQU'IL EST EN FONCTION.</p> <p>TOUJOURS COUPER L'ALIMENTATION ÉLECTRIQUE EN PLAÇANT LE LEVIER DU MANOSTAT À LA POSITION D'ARRÊT "OFF" ET VIDANGER LE RÉSERVOIR CHAQUE JOUR OU APRÈS CHAQUE USAGE.</p>

DANGER

AVERTISSEMENT: RISQUE D'ÉCLATEMENT

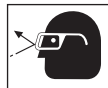


RÉSERVOIR D'AIR : LES CONDITIONS SUIVANTES PEUVENT AFFAIBLIR LES PAROIS DU RÉSERVOIR ET PROVOQUER UNE EXPLOSION VIOLENTE DU RÉSERVOIR QUI RISQUE DE CAUSER DES DOMMAGES À LA PROPRIÉTÉ OU DES BLESSURES GRAVES.

RISQUE	PRÉVENTION
<p>1. LE DÉFAUT DE VIDANGER DE FAÇON APPROPRIÉE L'EAU CONDENSÉE DANS LE RÉSERVOIR RISQUE DE CAUSER LA ROUILLE ET L'AMINCISSEMENT DES PAROIS EN ACIER DU RÉSERVOIR.</p> <p>2. DES MODIFICATIONS OU TENTATIVES DE RÉPARATION FAITES SUR LE RÉSERVOIR.</p> <p>3. DES MODIFICATIONS NON AUTORISÉES APPORTÉES À LA SOUPAPE DE DÉCHARGE, À LA SOUPAPE DE SÛRETÉ OU À TOUTE AUTRE COMPOSANTE QUI CONTRÔLE LA PRESSION DU RÉSERVOIR.</p> <p>4. DES VIBRATIONS EXCESSIVES PEUVENT AFFAIBLIR LE RÉSERVOIR ET CAUSER UNE RUPTURE OU UNE EXPLOSION.</p> <p>FIXATIONS ET ACCESSOIRES : LE FAIT D'EXCÉDER LA PRESSION NOMINALE DES OUTILS PNEUMATIQUES, PISTOLETS PULVÉRISATEURS, ACCESSOIRES PNEUMATIQUES, PNEUS ET AUTRES OBJETS GONFLABLES RISQUE DE PROVOQUER L'EXPLOSION DE CES DERNIERS ET LA PROJECTION DE PIÈCES, CE QUI RISQUE DE CAUSER DE GRAVES BLESSURES.</p>	<p>PURGER LE RÉSERVOIR QUOTIDIENNEMENT OU APRÈS CHAQUE UTILISATION. SI LE RÉSERVOIR ACCUSE UNE FUITE, LE REMPLACER IMMÉDIATEMENT PAR UN NOUVEAU RÉSERVOIR OU REMPLACER LE COMPRESSEUR AU COMPLET.</p> <p>NE JAMAIS PERFORER AVEC UNE PERCEUSE, SOUDER OU FAIRE UNE MODIFICATION QUELCONQUE AU RÉSERVOIR OU À SES ACCESSOIRES.</p> <p>LE RÉSERVOIR EST CONÇU POUR SUBIR DES PRESSIONS DE SERVICE PARTICULIÈRES. NE JAMAIS EFFECTUER DES RÉGLAGES NI SUBSTITUER DES PIÈCES POUR MODIFIER LES PRESSIONS DE SERVICE ÉTABLIES À L'USINE.</p> <p>POUR LE CONTRÔLE ESSENTIEL DE LA PRESSION D'AIR, IL FAUT POSER UN RÉGULATEUR DE PRESSION (S'IL N'EST PAS DÉJÀ POSÉ ET UN MANOMÈTRE À LA SORTIE D'AIR DU COM-PRESSEUR). SUIVRE LES RECOMMANDATIONS DU FABRICANT DE L'ÉQUIPEMENT ET NE JAMAIS EXCÉDER LA VALEUR NOMINALE DE PRESSION SPÉCIFIÉE DES ACCESSOIRES. NE JAMAIS UTILISER LE COMPRESSEUR POUR GONFLER DES OBJETS À FAIBLE PRESSION, TELS QUE LES JOUETS D'ENFANT, LES BALLONS DE FOOTBALL OU DE BASKET-BALL, ETC.</p>

DANGER

AVERTISSEMENT: RISQUE DE PROJECTION D'OBJETS



RISQUE	PRÉVENTION
<p>LE JET D'AIR COMPRIMÉ PEUT CAUSER DES LÉSIONS AUX TISSUS DE LA PEAU EXPOSÉE ET PEUT PROJETER DE LA SALETÉ, DES COPEAUX, DES PARTICULES LIBRES ET DE PETITS OBJETS À HAUTE VITESSE, CE QUI RISQUE DE CAUSER DES DOMMAGES À LA PROPRIÉTÉ OU DES BLESSURES.</p>	<p>PORTER TOUJOURS DES LUNETTES DE PROTECTION HOMOLOGUÉES ANSI Z87.1 AVEC DES ÉCRANS LATÉRAUX LORS DE L'UTILISATION DU COMPRESSEUR.</p> <p>NE JAMAIS DIRIGER LA BUSE OU LE VAPORISATEUR VERS SOI, VERS D'AUTRES PERSONNES OU VERS DES ANIMAUX.</p> <p>TOUJOURS METTRE LE COMPRESSEUR HORS FONCTION ET PURGER LA PRESSION DU BOYAU D'AIR ET DU RÉSERVOIR AVANT D'ENTAMER L'ENTRETIEN OU D'ATTACHER DES OUTILS OU ACCESSOIRES.</p>

DANGER

AVERTISSEMENT: RISQUE DE CHOC ÉLECTRIQUE



RISQUE	PRÉVENTION
<p>VOTRE COMPRESSEUR D'AIR EST ALIMENTÉ PAR ÉLECTRICITÉ. COMME AVEC TOUS LES APPAREILS ÉLECTRIQUES, SI L'APPAREIL N'EST PAS UTILISÉ DE FAÇON APPROPRIÉE, IL PEUT CAUSER DES CHOCs ÉLECTRIQUES.</p> <p>TOUTE RÉPARATION EFFECTUÉE PAR UNE PERSONNE NON QUALIFIÉE PEUT ENTRAÎNER DES BLESSURES GRAVES OU LA MORT PAR ÉLECTROCUTION.</p> <p>MISE À LA TERRE : LE DÉFAUT D'ÉTABLIR UNE MISE À LA TERRE APPROPRIÉE POUR CET APPAREIL PEUT ENTRAÎNER DES BLESSURES GRAVES OU LA MORT PAR ÉLECTROCUTION. VOIR LES DIRECTIVES DE MISE À LA TERRE.</p>	<p>NE JAMAIS FAIRE FONCTIONNER LE COMPRESSEUR À L'EXTÉRIEUR LORSQU'IL PLEUT OU DANS DES CONDITIONS HUMIDES.</p> <p>NE JAMAIS FAIRE FONCTIONNER LE COMPRESSEUR SANS LES COUVERCLES DE PROTECTION OU LORSQUE CEUX-CI SONT ENDOMMAGÉS.</p> <p>TOUT CÂBLAGE ÉLECTRIQUE OU TOUTE RÉPARATION REQUIS SUR CET APPAREIL DEVRAIT ÊTRE EFFECTUÉ PAR LE PERSONNEL D'UN CENTRE DE SERVICE APRÈS-VENTE AUTORISÉ, CONFORMÉMENT AUX CODES ÉLECTRIQUES NATIONAUX ET LOCAUX.</p> <p>S'ASSURER QUE LE CIRCUIT ÉLECTRIQUE ALIMENTANT LE COMPRESSEUR FOURNIT UNE MISE À LA TERRE ÉLECTRIQUE APPROPRIÉE, UNE TENSION APPROPRIÉE ET UNE PROTECTION ADÉQUATE PAR FUSIBLES.A</p>

DANGER

AVERTISSEMENT: RISQUE PAR INHALATION



RISQUE	PRÉVENTION
<p>L'AIR COMPRIMÉ DE VOTRE COMPRESSEUR D'AIR N'EST PAS SÉCURITAIRE POUR L'INHALATION. LE JET D'AIR PEUT CONTENIR DU MONOXYDE DE CARBONE, DES VAPEURS TOXIQUES OU DES PARTICULES SOLIDES DU RÉSERVOIR. L'INHALATION DE CES CONTAMINANTS PEUT CAUSER DES BLESSURES GRAVES OU LA MORT.</p> <p>LES MATIÈRES VAPORISÉES TELLES QUE LA PEINTURE, LES SOLVANTS DE PEINTURE, LES DÉCAPANTS, LES INSECTICIDES ET LES HERBICIDES CONTIENNENT DES VAPEURS NOCIVES ET TOXIQUES.</p>	<p>L'AIR OBTENU DIRECTEMENT DU COMPRESSEUR NE DEVRAIT JAMAIS ÊTRE UTILISÉ COMME SOURCE D'AIR POUR LES ÊTRE HUMAINES. SI L'AIR PRODUIT PAR CE COMPRESSEUR SERA UTILISÉ POUR LA RESPIRATION, IL FAUT INSTALLER DES FILTRES APPROPRIÉS AINSI QUE DU MATÉRIEL DE SÉCURITÉ. LES FILTRES EN LIGNE ET LE MATÉRIEL DE SÉCURITÉ UTILISÉS AVEC LE COMPRESSEUR DOIVENT ÊTRE DANS LA MESURE DE TRAITER L'AIR DE FAÇON À CE QU'IL RÉPONDE À TOUTES LES NORMES NATIONALES ET LOCALES APPLICABLES AVANT D'ÊTRE UTILISÉ POUR LES ÊTRES HUMAINES.</p> <p>TRAVAILLER DANS UN ENDROIT OÙ IL Y A UNE BONNE VENTILATION TRANSVERSALE. BIEN LIRE ET RESPECTER LES DIRECTIVES DE SÉCURITÉ INDIQUÉES SUR L'ÉTIQUETTE OU LA FICHE SIGNALÉTIQUE DE LA MATIÈRE QUI EST VAPORISÉE. PORTER UN RESPIRATEUR HOMOLOGUÉ PAR LE NIOSH/MSHA ET CONÇU POUR L'APPLICATION EN QUESTION.</p>

DANGER

AVERTISSEMENT: RISQUE DE BRÛLURES



RISQUE	PRÉVENTION
<p>LE FAIT DE TOUCHER AUX SURFACES DE MÉTAL EXPOSÉES TELLES QUE LA TÊTE DU COMPRESSEUR OU LES TUBES DE SORTIE PEUT CAUSER DE GRAVES BRÛLURES À LA PEAU.</p>	<p>NE JAMAIS TOUCHER AUX PIÈCES DE MÉTAL EXPOSÉES DU COMPRESSEUR DURANT OU IMMÉDIATEMENT APRÈS LE FONCTIONNEMENT. LE COMPRESSEUR DEMEURE CHAUD PENDANT PLUSIEURS MINUTES APRÈS LE FONCTIONNEMENT.</p> <p>NE PAS TENTER D'ATTEINDRE LES COMPOSANTES DERRIÈRE LES GARDES DE PROTECTION ET NE PAS EFFECTUER DE L'ENTRETIEN AVANT D'AVOIR LAISSÉ REFROIDIR L'APPAREIL.</p>

DANGER

AVERTISSEMENT: RISQUE RELIÉ AUX PIÈCES MOBILES



RISQUE	PRÉVENTION
<p>LES PIÈCES MOBILES TELLES QUE LA POULIE, LE VOLANT-MOTEUR ET LA COURROIE PEUVENT ENTRAÎNER DES BLESSURES GRAVES SI ELLES ENTRENT EN CONTACT AVEC UNE PARTIE DU CORPS OU DES VÊTEMENTS.</p> <p>EN TENTANT DE FAIRE FONCTIONNER LE COMPRESSEUR AVEC DES PIÈCES MANQUANTES OU ENDOMMAGÉES, OU DE RÉPARER LE COMPRESSEUR SANS LES GARDES DE PROTECTION, ON S'EXPOSE AUX PIÈCES MOBILES, CE QUI PEUT ENTRAÎNER DES BLESSURES GRAVES.</p>	<p>NE JAMAIS FAIRE FONCTIONNER LE COMPRESSEUR SANS LES GARDES OU LES COUVERCLES OU LORSQUE CEUX-CI SONT ENDOMMAGÉS.</p> <p>TOUTE RÉPARATION REQUISE SUR CET APPAREIL DEVRAIT ÊTRE EFFECTUÉE PAR LE PERSONNEL D'UN CENTRE DE SERVICE APRÈS-VENTE AUTORISÉ.</p>

DANGER

AVERTISSEMENT: RISQUE DE CHUTE



RISQUE	PRÉVENTION
<p>UN COMPRESSEUR PORTATIF PEUT TOMBER D'UNE TABLE, D'UN ÉTABLI OU D'UN TOIT. L'IMPACT PEUT CAUSER DES BLESSURES AU COMPRESSEUR ET DES BLESSURES CORPORELLES OU LA MORT DE L'UTILISATEUR.</p>	<p>TOUJOURS S'ASSURER DE LA STABILITÉ DU COMPRESSEUR AVANT DE LE FAIRE FONCTIONNER AFIN DE PRÉVENIR TOUT MOUVEMENT ACCIDENTEL DE L'APPAREIL. NE JAMAIS UTILISER UN COMPRESSEUR SUR UN TOIT OU DANS UNE POSITION ÉLEVÉE ; UTILISER PLUTÔT UN BOYAU D'AIR SUPPLÉMENTAIRE POUR ATTEINDRE LES ENDROITS ÉLEVÉS.</p>

DANGER

AVERTISSEMENT: RISQUE DE DOMMAGES À LA PROPRIÉTÉ PENDANT LE TRANSPORT DU COMPRESSEUR

(incendie, inhalation, dommages aux surfaces du véhicule)



RISQUE	PRÉVENTION
<p>DES FUITES OU DES DÉVERSEMENTS D'HUILE PEUVENT SE PRODUIRE ET ENTRAÎNER DES RISQUES D'INCENDIE, OU DES PROBLÈMES AUX VOIES RESPIRATOIRES, DES BLESSURES GRAVES OU LA MORT. DES FUITES D'HUILE ENDOMMAGENT LES TAPIS, LA PEINTURE ET TOUTE AUTRE SURFACE DES VÉHICULES OU DES REMORQUES.</p>	<p>TOUJOURS PLACER LE COMPRESSEUR SUR UN TAPIS DE PROTECTION POUR ÉVITER L'ENDOMMAGEMENT DU VÉHICULE PAR DES FUITES. RETIRER LE COMPRESSEUR DU VÉHICULE IMMÉDIATEMENT À L'ARRIVÉE.</p>

DANGER

AVERTISSEMENT: RISQUE D'UNE UTILISATION DANGEREUSE



RISQUE	PRÉVENTION
<p>UNE UTILISATION DANGEREUSE DE VOTRE COMPRESSEUR D'AIR POURRAIT CAUSER DES BLESSURES GRAVES OU LA MORT DE L'UTILISATEUR OU D'AUTRES PERSONNES.</p>	<p>LISEZ ATTENTIVEMENT TOUS LES INSTRUCTIONS ET LES AVERTISSEMENTS FIGURANT DANS CE GUIDE.</p> <p>FAMILIARISEZ-VOUS AVEC LE FONCTIONNEMENT ET LES COMMANDES DU COMPRESSEUR D'AIR.</p> <p>GARDEZ LES ENFANTS, LES ANIMAUX DE COMPAGNIE ET LES OBSTACLES ÉLOIGNÉS DU COMPRESSEUR D'AIR À TOUT TEMPS.</p> <p>N'UTILISEZ PAS LE PRODUIT LORSQUE VOUS ÊTES FATIGUÉ OU SOUS L'INFLUENCE D'ALCOOL OU DE DROGUES.</p> <p>RESTEZ ALERTE À TOUT MOMENT.</p> <p>NE TENTEZ JAMAIS D'ANNULER LES CARACTÉRISTIQUES DE SÉCURITÉ DE CE PRODUIT.</p> <p>ASSUREZ-VOUS QU'UN EXTINCTEUR D'INCENDIE EST DISPONIBLE DANS L'AIRE DE TRAVAIL.</p> <p>N'UTILISEZ PAS L'APPAREIL AVEC DES PIÈCES BRISÉES, MANQUANTES OU NON AUTORISÉES.</p>

LEXIQUE

Veillez vous familiariser avec ces termes avant d'utiliser l'appareil.

CFM : pieds cubes par minute (pi^3/min).

SCFM : pieds cubes par minute (pi^3/min) standard. Une unité de mesure de débit d'air.

PSIG: jauge indiquant le nombre de livres par pouce carré (lb/po^2). Une unité de mesure de pression.

ASME : American Society of Mechanical Engineers. Fabriqué, mis à l'essai, inspecté et enregistré pour répondre aux normes de la ASME.

Codes de certification : Les produits portant une ou plusieurs des mentions suivantes (UL, CUL, ETL, CETL) ont été évalués par des laboratoires indépendants de sécurité certifiés par l'OSHA et répondent aux normes de sécurité applicables des Underwriters Laboratories.

Pression d'amorçage : Lorsque le moteur est arrêté, la pression du réservoir d'air s'abaisse tandis qu'on continue d'utiliser l'accessoire. Quand la pression du réservoir tombe à un niveau bas réglé à l'usine, le moteur se remet automatiquement en marche. La basse pression à laquelle le moteur se remet automatiquement en marche s'appelle la "pression d'amorçage".

Pression de rupture : Lorsqu'on met un compresseur d'air en marche et qu'il commence à fonctionner, la pression d'air dans le réservoir commence à s'accumuler. La pression monte et atteint un niveau élevé réglé à l'usine, avant que le moteur ne s'arrête automatiquement, protégeant ainsi le réservoir d'air d'un taux de pression qui excéderait sa capacité. La haute pression à laquelle le moteur s'arrête s'appelle la "pression de rupture".

Circuit de dérivation : Le circuit acheminant l'électricité du tableau électrique vers la prise murale.

CYCLE DE SERVICE

Les compresseurs d'air ne devraient pas avoir un cycle de service supérieur à 50 %. Cela veut dire qu'un compresseur qui a pompé de l'air pendant plus de 50 % d'une heure est considéré comme avoir subi un mauvais usage parce que le compresseur d'air n'est pas assez puissant pour répondre aux besoins de production d'air comprimé. Le temps d'utilisation maximum du compresseur est donc 30 minutes par heure.

SPÉCIFICATIONS

Modèle N°:	66-500
Puissance en c.-v. Peak	-----
Alésage	1.875 po
Course du cylindre	1.250 po
Tension/Hertz/Phase	240V/60Hz/1Ph
Exigence minimale du circuit de dérivation	15 A
Capacité du réservoir	8 gallons
Pression d'enclenchement approx.	100
Pression de coupe-circuit approx.	125
pi^3/min standard (SCFM) à 40 lb/po^2	3,7
pi^3/min standard (SCFM) à 90 lb/po^2	2,6

*Un disjoncteur est recommandé. N'utilisez qu'un fusible ou un disjoncteur de la même valeur nominale que le circuit sur lequel le compresseur est branché. Si le compresseur d'air est branché sur un circuit protégé par des fusibles, utilisez seulement des fusibles à retardement. Les fusibles à retardement sont identifiés par un "D" au Canada et par un "T" aux E.-U.

ACCESSOIRES

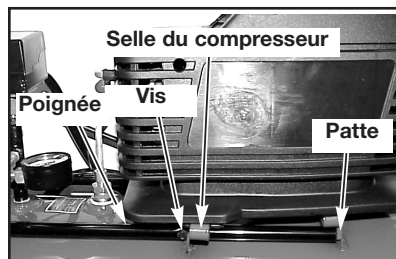
Les accessoires sont disponibles au magasin où l'appareil a été acheté ou chez une quincaillerie locale.

ASSEMBLAGE (ne s'applique pas à tous les appareils)

Assemblage pour appareils à réservoir

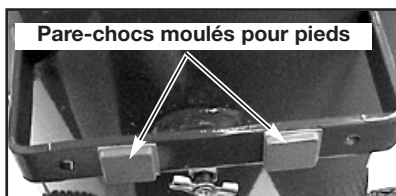
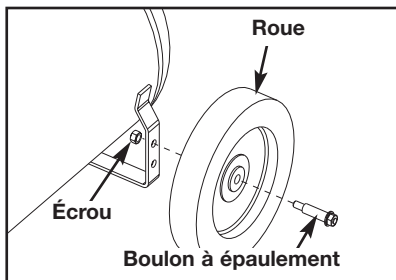
⚠ MISE EN GARDE Les roues et la poignée n'offrent pas assez de dégagement, de stabilité ou de support pour tirer l'appareil en ascendant ou en descendant un escalier. Il faut soulever l'appareil ou le pousser sur une rampe.

1. Submergez la prise de poignée dans de l'eau chaude savonneuse pour faciliter la pose. Retirez la prise de poignée de l'eau savonneuse et glissez-la sur la poignée.
2. Glissez la poignée dans les trous de la selle du compresseur et placez les embouts sur les pattes. Fixez la poignée en insérant une vis de chaque côté.



⚠ MISE EN GARDE Il faut étayer ou supporter un côté de l'ensemble lors de la pose des roues parce que le compresseur aura tendance de chavirer.

3. Insérez un boulon à épaulement et un écrou sur chaque roue et serrez-les fermement. L'ensemble sera de niveau si les roues sont posées de manière appropriée.
4. Nettoyez et séchez la surface inférieure de la jambe du réservoir d'air située au côté opposé des roues. Enlevez la bande protectrice de la surface adhésive des pare-chocs moulés pour pieds. Attachez un pare-choc sur la surface inférieure de chaque jambe. Pressez-les fermement en place.



INSTALLATION

MONTAGE DE L'APPAREIL

Emplacement du compresseur d'air

Le compresseur d'air doit être situé dans un endroit propre, sec et bien aéré. Le compresseur d'air doit être situé à une distance d'au moins 12 po (30 cm) du mur ou de toute autre obstruction qui pourrait nuire au débit d'air. La pompe et la tôle de protection du compresseur sont conçus pour permettre un refroidissement approprié. Les ouvertures d'aération du compresseur sont nécessaires pour maintenir la température de fonctionnement appropriée. Ne placez pas de chiffons ou de contenants sur ou à proximité de ces ouvertures. Le filtre à air doit être libre d'obstructions pouvant réduire le débit d'air au compresseur d'air.

DIRECTIVES DE MISE À LA TERRE

⚠ AVERTISSEMENT **RISQUE DE CHOCS ÉLECTRIQUES !** En cas de court-circuit, la mise à la terre réduit le risque de choc en fournissant un fil de fuite pour le courant électrique. Ce compresseur d'air doit être adéquatement mis à la terre.

Ce compresseur d'air portable est doté d'un cordon muni d'un fil de mise à la terre et d'une fiche appropriée de mise à la terre (voir l'illustration ci-dessous). La fiche doit être insérée dans une prise de courant installée et mise à la terre conformément à tous les codes et ordonnances électriques locaux.

1. Le cordon fourni avec cet appareil comprend une fiche avec broche de mise à la terre. La fiche DOIT être insérée dans une prise de courant mise à la terre.

IMPORTANT: La prise de courant utilisée doit être installée et mise à la terre conformément à tous les codes et ordonnances électriques locaux.

2. Assurez-vous que la prise de courant utilisée a la même configuration que la fiche de mise à la terre. **NE PAS UTILISER UN ADAPTATEUR.** Voir l'illustration.

⚠ PRECAUCIÓN Lorsque l'appareil est utilisé à l'extérieur des États-Unis, il se peut qu'une trousse de conversion soit nécessaire pour l'utilisation.

3. Inspectez la fiche et le cordon avant chaque utilisation. Ne pas les utiliser s'il y a des signes de dommages.
4. Si vous ne comprenez pas tout à fait ces directives de mise à la terre, ou s'il y a des doutes que le compresseur soit mis à la terre de manière appropriée, faire vérifier l'installation par un électricien qualifié.

⚠ DANGER **UNE MISE À LA TERRE INAPPROPRIÉE PEUT ENTRAÎNER DES CHOCS ÉLECTRIQUES.**

Ne modifiez pas la fiche fournie. Si elle ne convient pas à la prise de courant disponible, une prise appropriée doit être installée par un électricien qualifié.

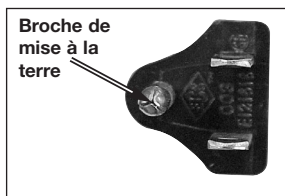
Toute réparation du cordon ou de la fiche DOIT être effectuée par un électricien qualifié

Rallonges

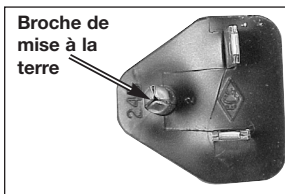
Utilisez un boyau d'air supplémentaire au lieu d'une rallonge pour éviter une chute de tension, une perte de puissance et la surchauffe du moteur.

Si une rallonge doit être utilisée, s'assurer :

- d'utiliser une rallonge à trois fils, munie d'une fiche à trois lames avec mise à la terre et une prise de courant à trois fentes qui accepte la fiche de la rallonge;
- qu'elle est en bon état;
- qu'elle n'excède pas 50 pi (15,5 m);
- que les fils sont d'un calibre minimum de 14 AWG. (La grosseur du fil augmente comme le numéro de calibre diminue. Les fils de calibre 12 AWG, 10 awg, et 8 AWG peuvent également être utilisés. NE PAS UTILISER UN FIL DE CALIBRE 16 OU 18 AWG.)



Fiche É.-U. - 120 volts



Fiche É.-U. - 240 volts

Protection contre la surtension et protection du circuit

Consulter le Guide des pièces pour connaître les exigences minimums concernant la tension et le circuit de dérivation.

Certains modèles de compresseur d'air peuvent fonctionner sur un circuit de 15 ampères si les conditions suivantes sont satisfaites :

1. la tension d'alimentation au circuit de dérivation est de 15 A;
2. le circuit n'est pas utilisé pour alimenter d'autres dispositifs électriques (lumières, appareils électriques, etc.);
3. les rallonges sont conformes aux spécifications;
4. le circuit est muni d'un coupe-circuit de 15 A ou d'un fusible retardé de 15 A.

REMARQUE : Si un compresseur est relié à un circuit protégé par des fusibles, n'utilisez que des fusibles à retardement. Les fusibles à retardement portent un " D " au Canada et un " T " aux États-Unis.

Si une des conditions ci-dessus ne peut être satisfaite, ou si l'utilisation du compresseur entraîne continuellement une panne de courant, il sera peut être nécessaire de brancher le compresseur sur un circuit de 20 ampères. Il n'est pas nécessaire de remplacer le cordon dans un tel cas.

UTILISATION

Familiarisez-vous avec votre compresseur d'air

LISEZ CE GUIDE DE L'UTILISATEUR ET TOUTES LES MESURES DE SÉCURITÉ AVANT D'UTILISER CET APPAREIL. Comparez les illustrations à votre appareil pour vous familiariser avec l'emplacement des commandes et boutons de réglage. Conservez ce guide pour références ultérieures.

Description du fonctionnement

Familiarisez-vous avec ces commandes avant d'utiliser l'appareil.

Interrupteur marche/automatique/arrêt "On/Auto/Off": Placez cet interrupteur à la position "ON" pour alimenter le manostat et à la position "OFF" pour couper le courant après chaque utilisation.

Manostat : Le manostat démarre automatiquement le moteur lorsque la pression dans le réservoir d'air tombe à une valeur inférieure à la "pression d'amorçage" réglée à l'usine. Il arrête le moteur lorsque la pression dans le réservoir d'air atteint la "pression de rupture" réglée à l'usine.

Soupape de sûreté : Si le manostat n'arrête pas le compresseur d'air lorsque la "pression de rupture" est atteinte, la soupape de sûreté protège contre toute surpression en "sautant" à la valeur de pression établie à l'usine (une pression légèrement supérieure à la "pression de rupture" établie pour le manostat).

Manomètre de sortie : Le manomètre de sortie indique la pression d'air disponible à la sortie du régulateur. Cette pression est contrôlée par le régulateur et est toujours inférieure à ou égale à la pression du réservoir.

Manomètre du réservoir : Le manomètre du réservoir indique la pression d'air en réserve dans le réservoir.

Régulateur : Le régulateur contrôle la pression d'air indiqué sur le manomètre de sortie. Tirez le bouton et tournez-le dans le sens des aiguilles d'une montre pour augmenter la pression et dans le sens contraire pour réduire la pression. Une fois que la pression désirée est atteinte, poussez le bouton pour le verrouiller.

Robinet de vidange :

Le robinet de vidange est situé à la base du réservoir d'air et est utilisé pour vidanger la condensation après chaque utilisation.

Système de refroidissement (non illustré) :

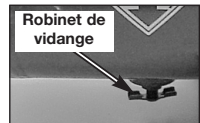
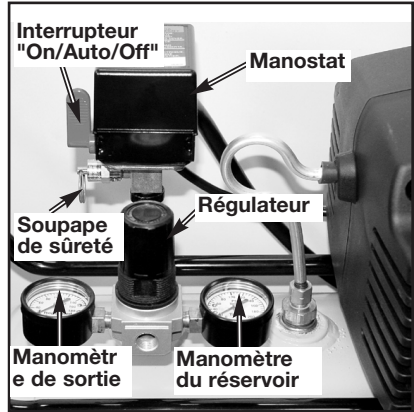
Ce compresseur d'air offre un système de refroidissement de pointe.

Le cœur de ce système de refroidissement est un ventilateur. Il est tout à fait normal que ce ventilateur souffle une grande quantité d'air à travers les trous d'aération. L'expulsion d'air indique que le système de refroidissement est en fonction.

Pompe du compresseur d'air (non illustrée) :

La pompe comprime l'air pour le forcer dans le réservoir d'air. L'air n'est pas disponible pour travailler avant que le compresseur n'ait élevé la pression du réservoir d'air au niveau requis à la sortie d'air.

Soupape de retenue : Lorsque le compresseur fonctionne, la soupape de retenue est "ouverte", permettant à l'air comprimé d'entrer dans le réservoir d'air. Quand le compresseur d'air atteint la "pression de rupture", la soupape de retenue "se ferme", permettant à l'air pressurisé de demeurer à l'intérieur du réservoir d'air.



Utilisation de l'appareil

Arrêt de l'appareil :

1. Réglez le levier marche/automatique/ arrêt "On/Auto/Off" à la position d'arrêt "OFF".

Avant le démarrage

Procédures de rodage

▲ AVERTISSEMENT Le compresseur d'air peut subir d'importants dommages si les procédures de rodage ne sont pas suivies à la lettre.

Cette procédure doit être exécutée **avant** d'utiliser le compresseur d'air pour la première fois et après le remplacement de la soupape de retenue ou de la pompe complète du compresseur.

1. Assurez-vous que le levier marche/automatique/arrêt "On/Auto/Off" est en position d'arrêt "OFF".

REMARQUE: Tirez le raccord vers l'arrière jusqu'à ce qu'il s'enclenche afin d'empêcher la fuite d'air du raccord à connexion rapide.

2. Branchez le cordon d'alimentation dans la prise de courant du circuit de dérivation approprié. (Consultez le paragraphe sur la protection contre la surtension et la protection du circuit de la section sur l'installation de ce guide.)
3. Ouvrez complètement le robinet de vidange (en tournant dans le sens contraire des aiguilles d'une montre) afin de permettre à l'air de sortir et pour empêcher une accumulation de pression dans le réservoir d'air lors de la période de rodage.
4. Placez le levier "On/Auto/Off" à la position "ON/AUTO". Le compresseur se mettra en marche.
5. Faire fonctionner le compresseur pendant 15 minutes. Assurez-vous que le robinet de vidange est ouvert et que la pression d'air accumulée dans le réservoir est minimale.
6. Après 15 minutes, fermez le robinet de vidange (en tournant dans le sens des aiguilles d'une montre). Le réservoir d'air se remplira jusqu'à ce que la "pression de rupture" soit atteinte et le moteur s'arrêtera ensuite.

Le compresseur d'air est maintenant prêt pour l'utilisation.

Avant chaque mise en marche :

1. Placez le levier "On/Auto/Off" à la position "OFF".
2. Tirez le bouton du régulateur et tournez-le dans le sens contraire des aiguilles d'une montre jusqu'à ce qu'il s'arrête. Poussez le bouton pour le verrouiller.
3. Raccordez le boyau et les accessoires. **REMARQUE :** Le boyau ou l'accessoire doit être muni d'une fiche à connexion rapide si la sortie d'air est équipée d'une douille à connexion rapide.

▲ AVERTISSEMENT Une pression d'air trop élevée conduit à un risque dangereux d'éclatement. Vérifiez la pression nominale maximum du fabricant pour tous les outils pneumatiques et accessoires utilisés. La pression de sortie du régulateur ne doit jamais excéder la pression nominale maximum.

Mise en marche :

1. Placez le levier "On/Auto/Off" à la position "AUTO" et attendez jusqu'à ce que la pression augmente. Le moteur s'arrêtera lorsque la pression dans le réservoir atteint la "pression de rupture".
2. Tirez le bouton du régulateur et tournez-le dans le sens des aiguilles d'une montre pour augmenter la pression. Une fois que la pression désirée est atteinte, poussez le bouton pour le verrouiller. Le compresseur d'air est maintenant prêt pour l'utilisation.

REMARQUE : Utilisez toujours le compresseur d'air dans une région bien aérée, sans vapeurs d'essence ni autres vapeurs combustibles. Si le compresseur est utilisé avec un vaporisateur, NE PAS placer le compresseur près de la région de vaporisation.

ENTRETIEN

Responsabilités du client

	Avant chaque utilisation	À chaque jour ou après chaque utilisation
Vérifier la soupape de sûreté	●	
Vidanger le réservoir		●

Vérification de la soupape de sûreté

⚠ AVERTISSEMENT Si la soupape de sûreté ne fonctionne pas correctement, une surpression pourrait avoir lieu et causer une rupture ou une explosion du réservoir à air.

1. Avant de mettre en marche le compresseur, tirez sur l'anneau de la soupape de sûreté pour vous assurer que la soupape fonctionne librement. Si la soupape est coincée ou qu'elle ne bouge pas librement, elle doit être remplacée par une autre soupape du même type.

Vidange du réservoir

1. Réglez le levier marche/automatique/arrêt "On/Auto/Off" à la position d'arrêt "OFF".
2. Tirez le bouton du régulateur vers l'extérieur et tournez dans le sens contraire des aiguilles d'une montre pour régler la pression de sortie à zéro.
3. Enlevez l'outil pneumatique ou l'accessoire.
4. Tirez l'anneau de la soupape de sûreté pour permettre à l'air de purger du réservoir jusqu'à ce que la pression dans le réservoir se situe à environ 20 lb/po². Relâchez l'anneau de la soupape de sûreté.
5. Vidangez l'eau du réservoir en ouvrant le robinet de vidange. (Tournez dans le sens contraire des aiguilles d'une montre) situé en bas du réservoir.

⚠ AVERTISSEMENT L'eau dans le réservoir d'air peut condenser. Si l'eau n'est pas vidangée, cela risque de corroder et d'affaiblir le réservoir d'air, produisant ainsi un risque de rupture du réservoir d'air.

6. Une fois la vidange de l'eau terminée, fermez le robinet de vidange (tournez dans le sens des aiguilles d'une montre). Le compresseur d'air peut maintenant être rangé.

REMARQUE : Si le robinet de vidange est engorgé, libérez tout l'air pressurisé. Le robinet de vidange peut alors être enlevé, nettoyé et réinstallé.

ENTERTIEN ET RÉGLAGES

⚠ AVERTISSEMENT Le compresseur d'air fonctionne automatiquement lorsqu'il est sous tension. En effectuant l'entretien, vous pourriez être exposé aux sources de tension, à de l'air comprimé ou aux pièces en mouvement et subir ainsi des blessures corporelles. Avant de procéder à tout entretien ou réparation, débranchez le compresseur et purgez tout l'air pressurisé.

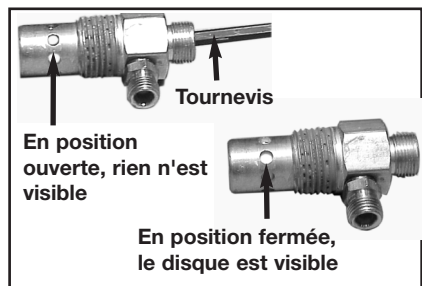
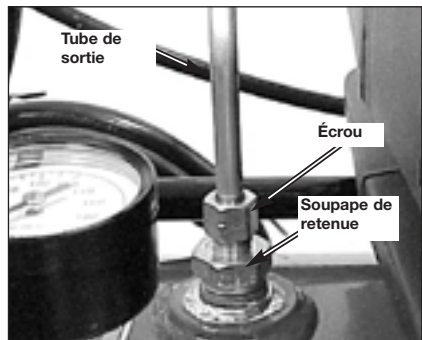
TOUS LES SERVICES D'ENTRETIEN NE FIGURANT PAS ICI DOIVENT ÊTRE EXÉCUTÉS PAR UN TECHNICIEN QUALIFIÉ.

⚠ AVERTISSEMENT Avant de procéder à l'entretien :

- Débranchez le compresseur d'air de la source d'alimentation électrique.
- Purgez l'air pressurisé du réservoir.
- Attendez jusqu'à ce que le compresseur d'air soit refroidi.

Remplacement ou nettoyage de la soupape de retenue

1. Déchargez tout l'air pressurisé du réservoir d'air. Voir la partie intitulée "Vidange du réservoir" de la section sur l'entretien.
2. Débranchez le compresseur d'air.
3. Retirez le collier du boyau et ensuite le boyau. **REMARQUE** : Le collier du boyau ne peut pas être réutilisé. Il faut se procurer un collier de boyau neuf. Voir la Liste des pièces ou achetez un collier de boyau standard d'une quincaillerie locale.
4. À l'aide d'une clé à douille, dévissez la soupape de retenue (en tournant dans le sens contraire des aiguilles d'une montre).
5. Assurez-vous que le disque de soupape se déplace librement à l'intérieur de la soupape de retenue et que la tension du ressort retient le disque en position élevée et fermée. La soupape de retenue peut être nettoyée à l'aide d'un solvant, tel qu'un décapant à peinture et vernis.
6. Appliquez un produit d'étanchéité sur les filets de la soupape. Réinstallez la soupape de retenue (en tournant dans le sens des aiguilles d'une montre).
7. Remplacez le tube de décharge de pression et resserrez l'écrou.
8. Effectuez la procédure de rodage. Voir la partie intitulée "Procédures de rodage" de la section sur l'utilisation.

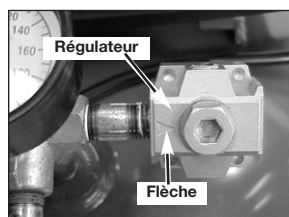


Remplacement du régulateur

1. Déchargez tout l'air pressurisé du réservoir d'air. Voir la partie intitulée "Vidange du réservoir" de la section sur l'entretien.
2. Débranchez le compresseur d'air.
3. À l'aide d'une clé réglable, retirez du régulateur le manomètre de sortie et le raccord à tuyau.
4. Retirez le régulateur.
5. Appliquez du ruban d'étanchéité sur l'embout du tuyau.
6. Assemblez le régulateur et orientez-le tel qu'illustré.

REMARQUE : La flèche indique le sens du débit d'air. Assurez-vous qu'elle est dirigée dans la direction du débit d'air.

7. Appliquez un produit d'étanchéité au manomètre de sortie et au raccord à tuyau.
8. Assemblez le manomètre de sortie et le raccord à tuyau. Orientez le manomètre de sortie de façon à ce qu'il indique la pression correcte. Serrez le tuyau à l'aide d'une clé.



RANGEMENT

Avant de ranger le compresseur d'air, effectuez les étapes suivantes :

1. Revoyez la section intitulée "Entretien" des pages précédentes et exécutez l'entretien requis.
2. Placez le levier "On/Auto/Off" à la position "OFF".
3. Tournez le régulateur dans le sens contraire des aiguilles d'une montre et réglez la pression de sortie à zéro.
4. Débranchez l'outil pneumatique ou l'accessoire.
5. Tirez l'anneau de la soupape de sûreté pour purger l'air du réservoir jusqu'à ce que la pression dans le réservoir soit d'environ 20 lb/po². Relâchez l'anneau de la soupape de sûreté.
6. Vidangez l'eau du réservoir d'air en ouvrant le robinet de vidange situé en bas du réservoir.

⚠ AVERTISSEMENT L'eau dans le réservoir d'air peut condenser. Si le réservoir n'est pas vidangé, l'eau corrodera et affaiblira les parois du réservoir d'air, causant ainsi un risque d'éclatement du réservoir.

7. Une fois la vidange de l'eau terminée, fermez le robinet de vidange.

REMARQUE : Si le robinet de vidange est engorgé, libérez tout l'air pressurisé. Le robinet de vidange peut alors être enlevé, nettoyé et réinstallé.

8. Protégez le cordon électrique et le boyau d'air contre tout dommage (de façon à ce qu'ils ne soient pas coincés ou écrasés). Enroulez-les, sans contrainte, autour de la poignée du compresseur d'air (le cas échéant).

Rangez le compresseur d'air dans un endroit propre et sec.

DÉPANNAGE

⚠ AVERTISSEMENT

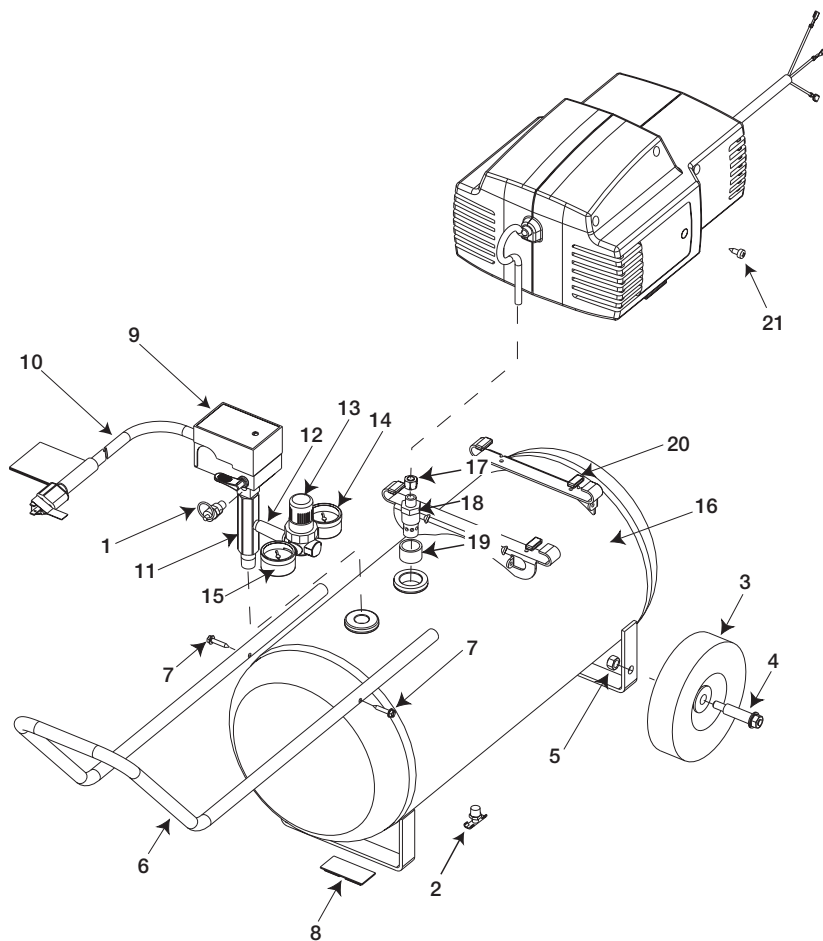
En effectuant des réparations au compresseur, il se peut que vous soyez exposé aux sources de tension, aux pièces mobiles ou aux sources d'air comprimé qui risquent de causer des blessures corporelles. Débranchez le compresseur et purgez l'air pressurisé du réservoir avant d'entamer toute réparation.

PROBLÈME	CAUSE	CORRECTION
Pression excessive - la soupape de sûreté se soulève.	Le manostat n'arrête pas le moteur lorsque le compresseur d'air atteint la "pression de rupture". La "pression de rupture" du manostat est trop élevée.	Déplacez le levier "On/Auto/Off" à la position "OFF". Si l'appareil ne s'arrête pas, contactez un technicien qualifié. Contactez un technicien qualifié.
Fuites d'air aux raccords.	Les raccords des tubes ne sont pas assez serrés.	Resserrez les raccords là où on peut entendre l'air s'échapper. Vérifiez les raccords à l'aide d'une solution d'eau savonneuse. Ne Pas Trop Serrer.
Fuites d'air à la soupape de décharge du manostat. (si fourni)	Soupape de décharge défectueuse du manostat.	Contactez un technicien qualifié.
Fuites d'air au réservoir d'air ou aux soudures du réservoir.	Réservoir d'air défectueux.	Le réservoir d'air doit être remplacé. Ne tentez pas de réparer les fuites. ⚠ AVERTISSEMENT Ne pas percer, souder ni modifier autrement le réservoir d'air. Le réservoir risque de s'affaiblir et peut éclater ou exploser.
Fuites d'air entre la tête et la plaque de la soupape.	Joint d'étanchéité accusant une fuite.	Contactez un technicien qualifié.
Fuite d'air à la soupape de sûreté.	Défectuosité possible dans la soupape de sûreté.	Faites fonctionner la soupape manuellement en tirant sur l'anneau. Si les fuites ne sont pas éliminées, la soupape devrait être remplacée.
Cognements.	Soupape de retenue défectueuse.	Retirez et nettoyez ou remplacez la soupape.

PROBLÈME	CAUSE	CORRECTION
Le relevé de pression sur le manomètre du régulateur tombe lorsqu'un accessoire est utilisé.	Une légère chute de pression est considérée normale.	S'il y a une chute excessive de pression lorsqu'un accessoire est utilisé, ajustez le régulateur en suivant les directives du paragraphe intitulé "Description du fonctionnement" de la section sur l'utilisation. REMARQUE : Ajustez la pression du régulateur lorsqu'il y a un débit d'air (c.-à-d., pendant l'utilisation d'un accessoire).
Le compresseur d'air ne fournit pas suffisamment d'air pour faire fonctionner les accessoires.	Utilisation prolongée et excessive de l'air. Le compresseur n'est pas assez gros pour la quantité d'air requise. Trou dans le boyau. Soupape de retenue obstruée. Fuites d'air.	Diminuez la quantité d'air utilisé. Vérifiez les exigences en air de l'accessoire. Si elles sont plus élevées que la valeur SCFM (pi ³ /min) ou la pression produite par le compresseur, vous avez besoin d'un compresseur plus gros. Vérifiez et remplacez le boyau au besoin. Retirez et nettoyez ou remplacez la soupape de retenue. Serrez les raccords.
Fuite d'air continue au bouton du régulateur.	Régulateur endommagé.	Remplacez le régulateur.
Le régulateur ne ferme pas l'orifice de sortie d'air.	Régulateur endommagé	Remplacez le régulateur.

PROBLÈME	CAUSE	CORRECTION
Le moteur ne tourne pas.	Fusible sauté ou coupe-circuit déclenché.	<p>Vérifiez s'il y a un fusible sauté dans la boîte à fusibles et remplacez-le au besoin. Rétablissez le coupe-circuit. Ne pas utiliser un fusible ou un coupe-circuit à valeur nominale supérieure à la valeur spécifiée pour le circuit de dérivation utilisé.</p> <p>Vérifier si le fusible est du type approprié. Vous devriez utiliser un fusible retardé.</p> <p>Vérifier s'il y a une condition de tension basse.</p> <p>Vérifiez la rallonge.</p> <p>Déconnectez tout autre appareil électrique du circuit ou branchez le compresseur sur son propre circuit de dérivation.</p>
	Rallonge de longueur ou de calibre inapproprié.	Vérifiez la rallonge.
	Connexions électriques desserrées.	Vérifiez les connexions de câblage dans la boîte à bornes.
	Moteur défectueux.	Faire vérifier par un technicien qualifié.

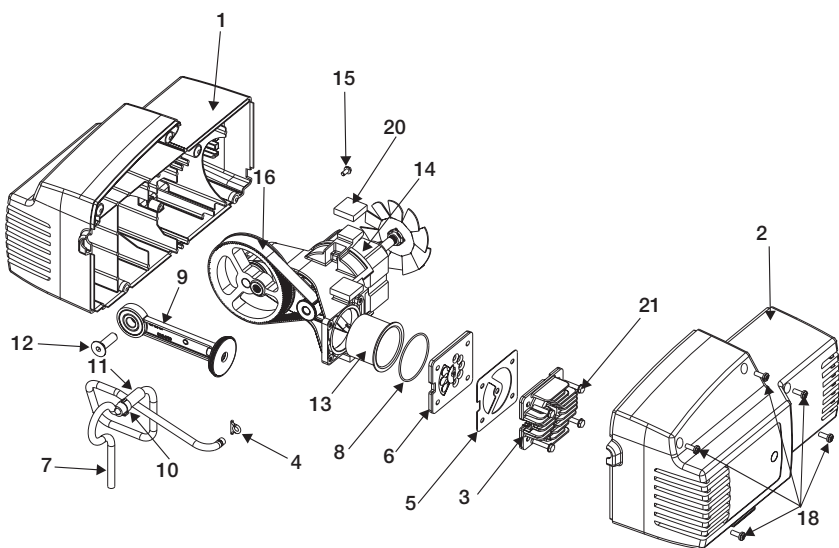
DIAGRAMME DU COMPRESSEUR À AIR



LISTE DES PIÈCES

<u>Clé No</u>	<u>N° de Pièce</u>	<u>Description</u>
1	97503734	Soupape de sûreté
2	SS-2707	Robinet de purge
3	CAC-4299	Roue de 6 po. (2 utilisés)
4	CAC-60	Ecrou d'épaulement (2 utilisés)
5	SSF-8080-ZN	Ecrou, Hex de 3/8 - 16 (2 utilisés)
6	AC-0345	Poignée
7	SSF-612	Vis #10-16x1 (2 utilisés)
8	AC-0364	Bande de pied en caoutchouc
9	Z-AC-0353-1	Interrupteur de pression
10	SUDL-413-2	Ensemble de cordon
11	AC-0027-2	Distributeur
12	SSP-480	Embout 1/4-18 NPT x 2.50
13	D21426	Régulateur de pression
14	Z-AC-0009-1	Manomètre, droit
15	Z-AC-0010-1	Manomètre, gauche
16	Z-D25895	Réservoir
17	SSP-473	Ensemble écrou-raccord 1/4
18	D24879	Valve anti-retour
19	SSP-490-1	Réducteur
20	* CAC-1254	Isolateurs (4 utilisés)
21	* SSF-621	Vis 1/4-14 x .625 (2 utilisés)

DIAGRAMME DU POMPE



LISTE DES PIÈCES

<u>Clé No</u>	<u>N° de Pièce</u>	<u>Description</u>
1	D25734	Coiffe (gauche)
2	AC-0470	Coiffe (droite)
3	CAC-1196	La culasse
4	* CAC-1212	Joint d'étanche
5	* CAC-1199	Joint d'étanchéité
6	Z-D24985	Clapet d'admission d'échappement
7	DAC-269	Tube de renvoi
8	* SSG-8169	Anneau en O
9	+ -----	La bielle d'accouplement
10	CAC-1206-1	Clamp
11	AC-0206	Tube de isolant
12	x SSF-3147	Vis 3/8-16x .375
13	+ -----	Couvert de cylindre
14	-----	Raccord de connection de câble
15	x SUDL-9-1	Vis 8-32x .375/.344
16	AC-0815	Courroie de synchronisation
18	x SSF-3156	Vis, 10-9x.50 Plastite (utilisés 5)
20	* D25731	Isolant de la pompe (utilisés 5)
21	x SSF-995	Vis #10-24 x .875 (utilisés 4)

Non montré

D20111 Ensemble du cordon moteur

Kit disponibles

* K-0387 Isolant en kit
 + KK-4964 Connection de bielle en kit
 x KK-4929 Kit d'attache de sécurité

GARANTIE LIMITÉE

DELTA MACHINERY garantit à l'acheteur original que tous les produits couverts par cette garantie sont exempts de défauts de matériaux et de fabrication. Les produits couverts par cette garantie comprennent les compresseurs d'air, les outils pneumatiques, les pièces de rechange, les laveuses à pression et les génératrices dont les périodes de garantie sont les suivantes :

3 ANS - Garantie limitée sur les pompes de compresseurs d'air sans huile, à 2 étages, fonctionnant à 1 725 tr./min.

2 ANS - Garantie limitée sur les pompes de compresseurs d'air lubrifiées à l'huile.

1 AN - Garantie limitée pour toutes les autres composantes des compresseurs d'air.

2 ANS - Garantie limitée sur les alternateurs des génératrices électriques, tel que décrit dans le catalogue général Porter-Cable.

1 AN - Garantie limitée sur les autres composantes des génératrices.

2 ANS - Garantie limitée sur les outils pneumatiques.

1 AN - Garantie limitée sur les laveuses à pression utilisées comme bien de consommation (c.-à-d. utilisés seulement à des fins personnelles ou résidentielles).

90 JOURS - Laveuses à pression utilisées à des fins commerciales (c.-à-d. produisant un revenu) et pièces de rechange.

1 AN - Garantie limitée sur tous les accessoires.

Delta réparera ou remplacera, à sa discrétion, les produits ou composants s'étant avérés défectueux dans les limites de la période de garantie. Les services seront effectués en respectant l'ordre normal des travaux, lors d'une journée ouvrable, aux installations du Centre de service après-vente et selon la disponibilité des pièces de rechange nécessaires. Toute décision prise par **Delta** en ce qui concerne cette garantie limitée est finale.

Cette garantie vous donne certains droits particuliers. Il se peut que vous ayez d'autres droits, variant d'une province à l'autre et d'un état à l'autre.

RESPONSABILITÉ DE L'ACHETEUR D'ORIGINE (utilisateur initial) :

- Pour faire une réclamation de garantie pour ce produit, NE retournez PAS le produit au détaillant. Le produit doit être évalué par le personnel d'un Centre de service après-vente agréé de **Delta**. Pour connaître l'emplacement du Centre de service après-vente agréé de **Delta** le plus près de chez vous, composez le 1-866-422-4286, 24 heures par jour, 7 jours par semaine.
- Conservez le reçu de caisse original comme preuve d'achat pour toute réparation sous garantie.
- Appliquez tous soins raisonnables lors de l'utilisation et de l'entretien du produit, conformément aux recommandations dans le ou les guide(s) de l'utilisateur.
- Livrez ou expédiez le produit au Centre de service après-vente agréé de **Delta** le plus proche. Le fret doit, le cas échéant, être acquitté par l'acheteur.
- Seuls les compresseurs d'air à réservoir de 60 et 80 gallons (227 et 303 litres) seront inspectés sur les lieux de leur installation. Veuillez communiquer avec le Centre de service après-vente agréé de **Delta** le plus proche offrant le service sur place, pour faire les arrangements nécessaires dans un tel cas.
- Tout acheteur qui n'est pas satisfait de l'intervention du Centre de service après-vente agréé de **Delta** est prié de communiquer directement avec **Delta**.

CETTE GARANTIE NE COUVRE PAS CE QUI SUIT :

- Marchandise remise à neuf, utilisée comme équipement de location ou modèles de salon ou d'exposition.
- Marchandise ayant cessé de fonctionner en raison d'usure normale, d'usage abusif*, d'exposition au froid, à la chaleur, à la pluie, à l'humidité excessive ou au gel, d'usage de produits chimiques non appropriés, de négligence, d'accidents, de tout manquement à observer les directives d'utilisation du produit figurant dans le ou les guide(s) de l'utilisateur fournis avec le produit, d'un entretien non approprié, de l'utilisation d'accessoires ou de pièces non recommandées par **Delta**, ou de réparations ou de modifications non approuvées.

* Un compresseur d'air pompant durant plus de 50% d'une heure sera considérée comme ayant subi un usage abusif puisque sa capacité est inférieure à la demande d'air exigée.

- Frais de réparation et de transport de marchandise non reconnue comme étant défectueuse.
- Coûts associés à l'assemblage, l'ajout nécessaire d'huile, les réglages ou autres frais d'installation et de mise en marche.
- Pièces ou accessoires consommables, fournis avec le produit, et qui deviennent inutilisables ou inopérants après une période raisonnable d'utilisation, y compris, mais sans être limités aux disques ou tampons de ponçage, lames de scie et de ciseaux, pierres meulères, ressorts, burins, buses, joints toriques, gicleurs d'air, rondelles et accessoires similaires.
- Marchandise vendue par **Delta** mais fabriquée par et identifiée comme étant le produit d'une autre compagnie, telles que les moteurs à essence. Dans ce cas, la garantie du fabricant du produit s'applique, si une telle garantie est offerte.
- **TOUTE PERTE, TOUT DOMMAGE DIRECT OU INDIRECT OU TOUT FRAIS POUVANT RÉSULTER D'UN DÉFAUT QUELCONQUE, D'UNE DÉFAILLANCE OU D'UN MAUVAIS FONCTIONNEMENT DU PRODUIT.** Certaines provinces et certains états ne permettent pas l'exclusion ni la limitation des dommages directs ou indirects. Par conséquent, il se peut que les exclusions ou limitations mentionnées ci-dessus ne s'appliquent pas dans votre cas.
- **TOUTES GARANTIES IMPLICITES, Y COMPRIS CELLES PORTANT SUR LA VALEUR MARCHANDE ET L'APPLICATION DU PRODUIT POUR UNE UTILISATION PARTICULIÈRE, SONT LIMITÉES À UN AN À COMPTER DE LA DATE D'ACHAT D'ORIGINE.** Certaines provinces et certains états ne permettent pas la limitation de la période d'une garantie implicite. Par conséquent, il se peut que les limitations mentionnées ci-dessus ne s'appliquent pas dans votre cas.



Jackson, TN USA
1-866-422-4286